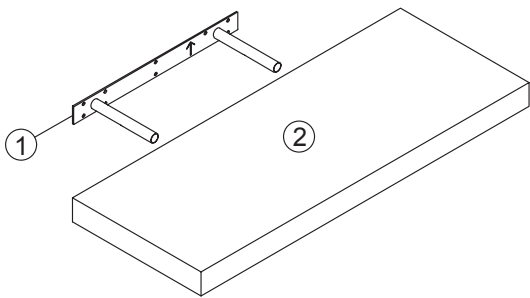


**CAPACITY:** \*LOAD EVENLY DISTRIBUTED







**CARE INSTRUCTIONS:** We recommend to wipe over with a dry micro-fibre cloth to remove any dust. Avoid using a damp or wet cloth and any cleaning chemicals as this may cause damage to the surface.

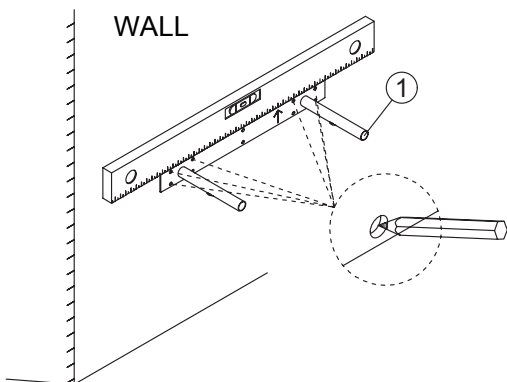
**ELEMENTS**



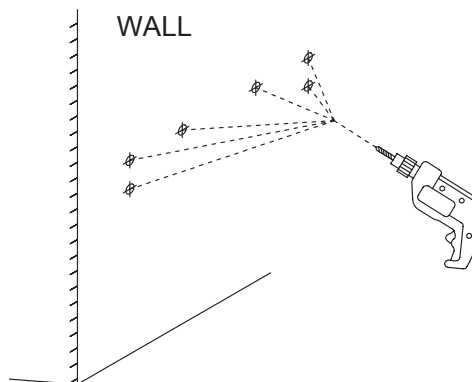
**PARTS LIST**

<p>A</p>  <p>x6pcs</p>	<p>B</p>  <p>x6pcs</p>	<p>C</p>  <p>x6pcs</p>	<p>D</p>  <p>x2pcs</p>
---	---	---	---

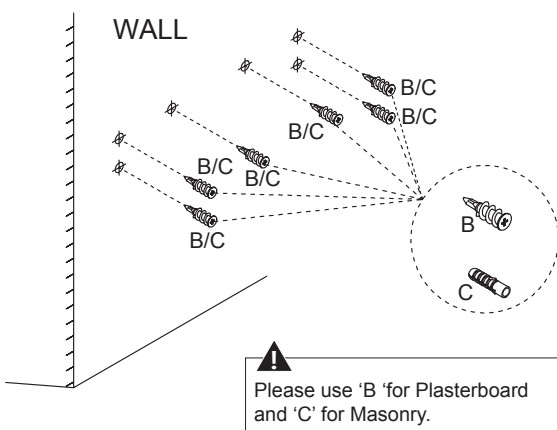
**STEP 1**



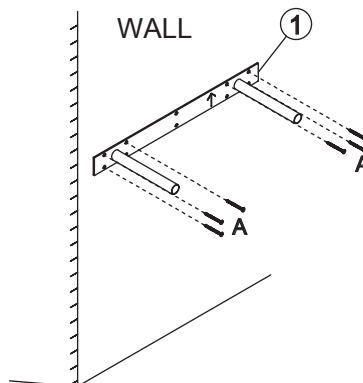
**STEP 2**



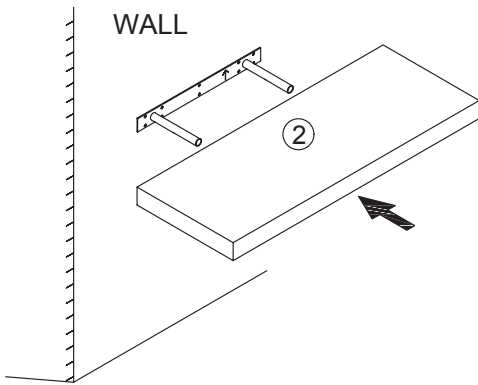
**STEP 3**



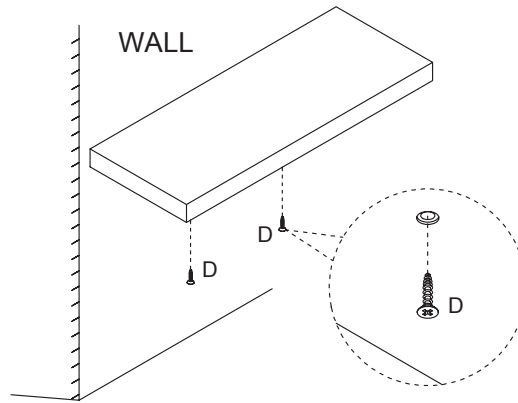
**STEP 4**



**STEP 5**



**STEP 6**



[flexistorage.com.au](http://flexistorage.com.au)  
[flexistorage.co.nz](http://flexistorage.co.nz)

MADE IN CHINA

Distributed by:

Visy Retail Services Pty Ltd (AU): 1300 734 714

Visy Board Limited (NZ): 0800 443 058