





CAPACITY: *LOAD EVENLY DISTRIBUTED

**MAX
5KG***
PLASTERBOARD

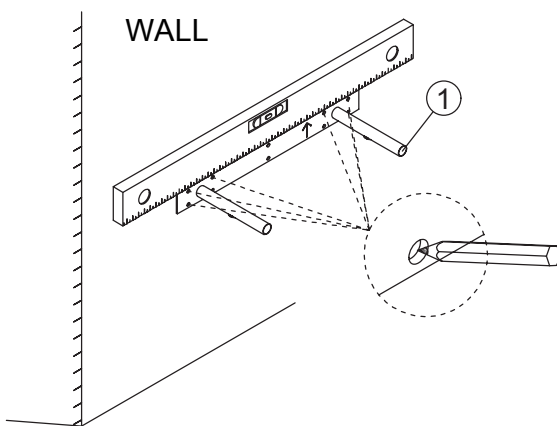
**MAX
10KG***
MASONRY

CARE INSTRUCTIONS: We recommend to wipe over with a dry micro-fibre cloth to remove any dust. Avoid using a damp or wet cloth and any cleaning chemicals as this may cause damage to the surface.

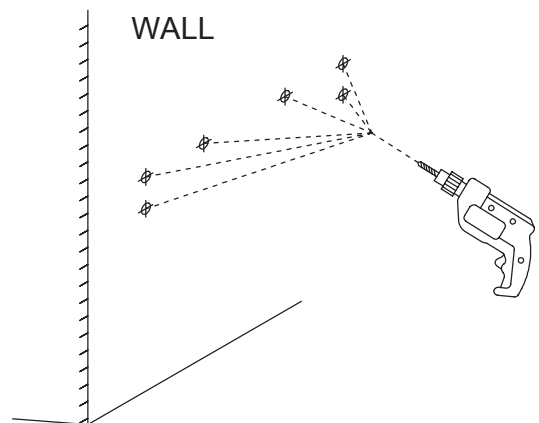
PARTS LIST

<p>A</p>  <p>x6pcs</p>	<p>B</p>  <p>x6pcs</p>	<p>C</p>  <p>x6pcs</p>	<p>D</p>  <p>x2pcs</p>
--	--	--	--

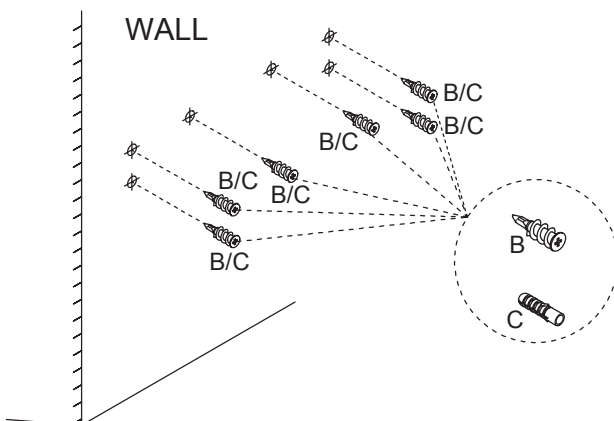
STEP 1



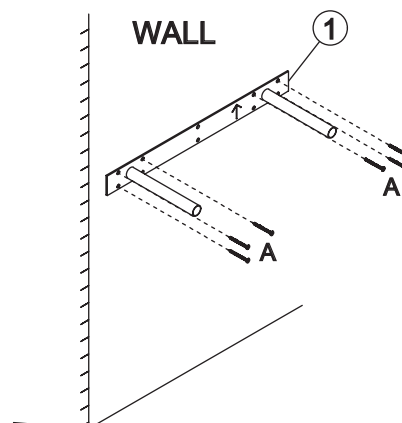
STEP 2



STEP 3

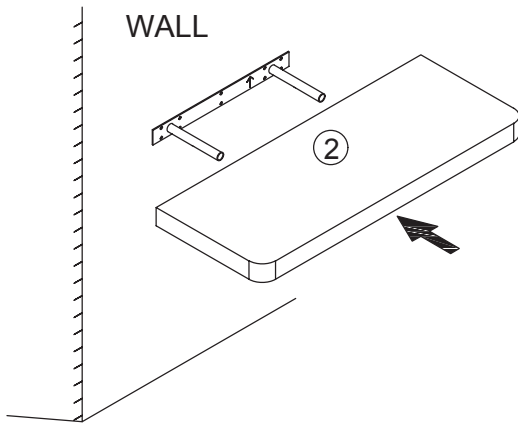


STEP 4

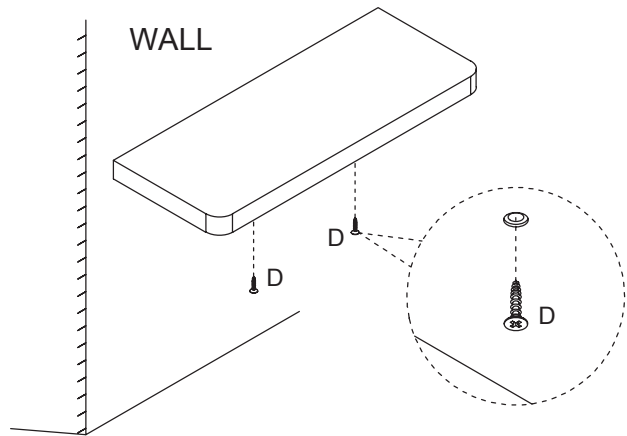


⚠ Please use 'B' for Plasterboard and 'C' for Masonry.

STEP 5



STEP 6



flexistorage.com.au
flexistorage.co.nz

MADE IN CHINA

Distributed by:

Visy Retail Services Pty Ltd (AU): 1300 734 714

Visy Board Limited (NZ): 0800 443 058