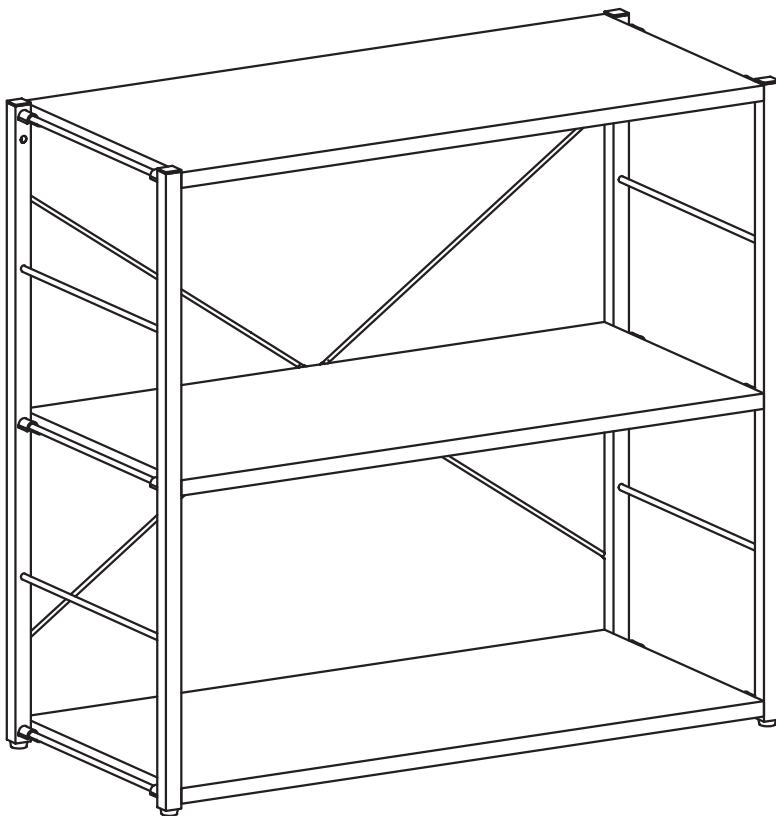




THIS PRODUCT SHOULD BE PERMANENTLY ANCHORED TO THE WALL OR OTHER SUITABLE SURFACE TO AVOID SERIOUS INJURY OR DEATH.

To help avoid any serious injury or death, this product includes a wall strap to prevent toppling. We strongly recommend that this product be permanently fixed to the wall or other suitable surface. Fixing hardware is not included since different surface materials require different attachments. Please seek professional advice if you are in doubt what fixing hardware to use. Regularly check your fixing device.



⚠ WARNING





Children have died from furniture tipover.

- ALWAYS secure this furniture with an anchor device.
- NEVER allow children to stand, climb or hang on drawers, doors, or shelves.
- NEVER open more than one drawer at a time.
- Place heavy items down low.

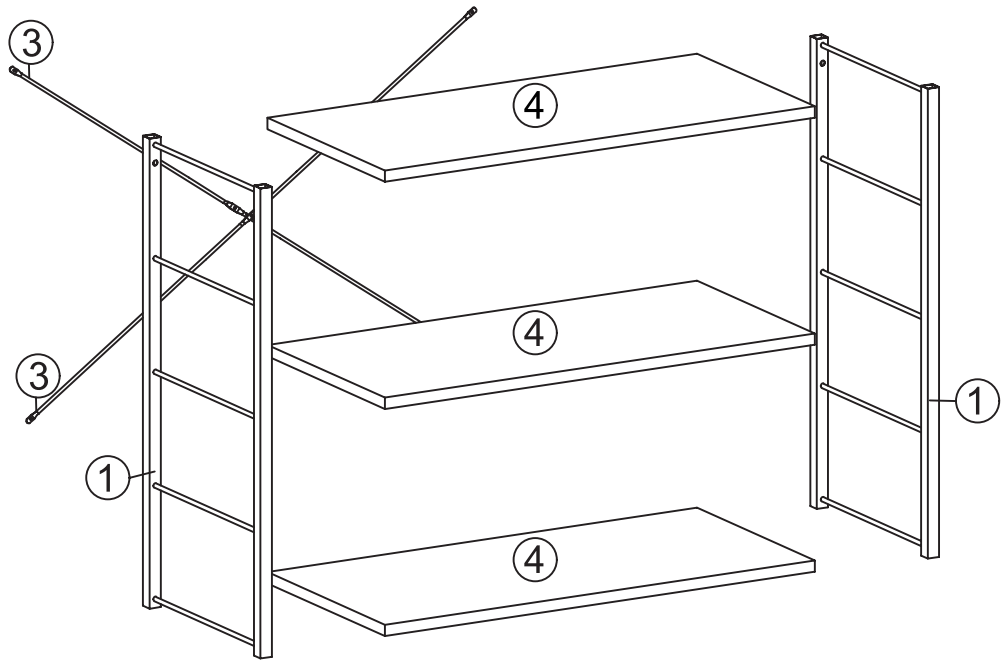
NEVER put a TV on this furniture 



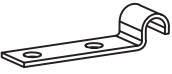












This product requires two people to assemble.

CARE INSTRUCTIONS: We recommend to wipe over with a dry micro-fibre cloth to remove any dust. Avoid using a damp or wet cloth and any cleaning chemicals as this may cause damage to the surface.

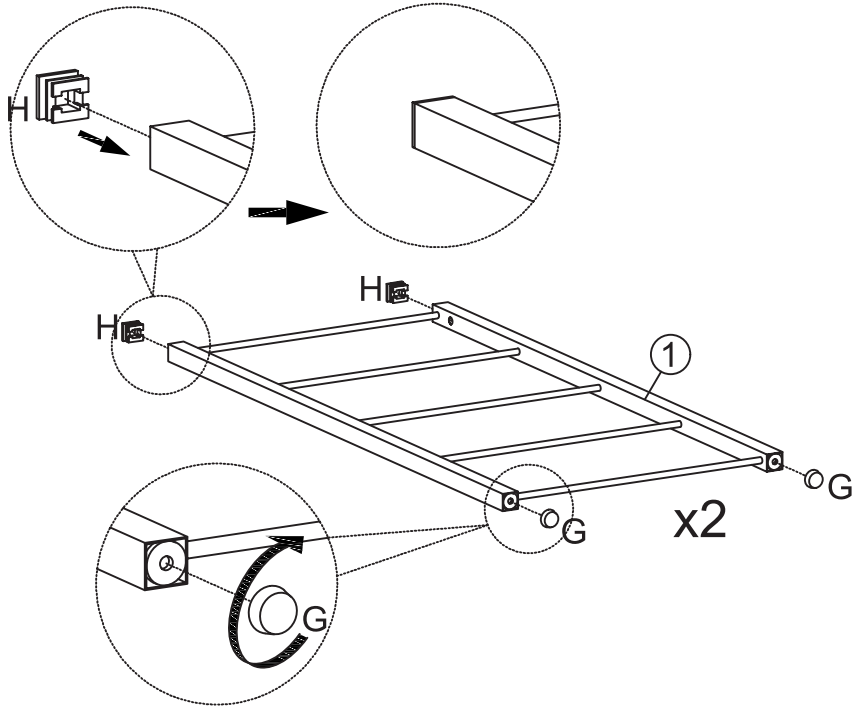
ELEMENTS



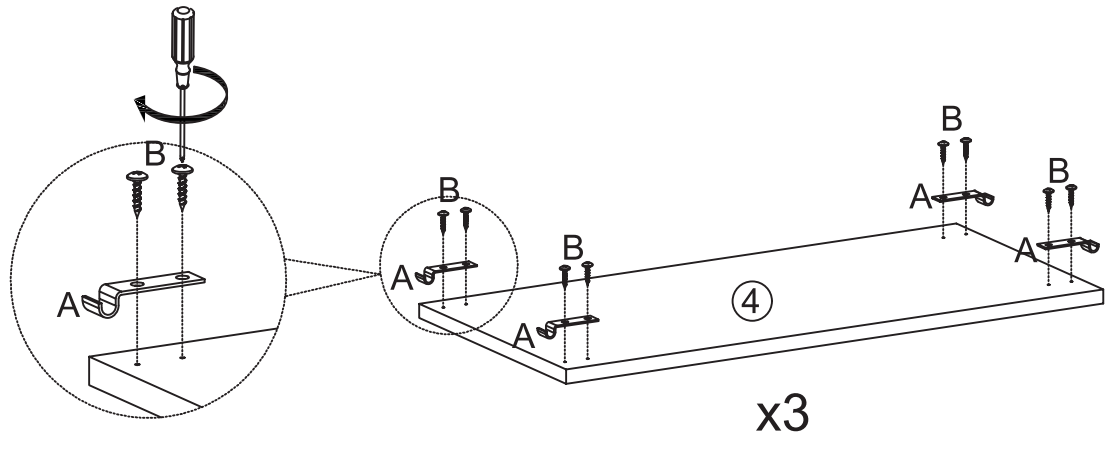
PARTS LIST

| | | | | | | |
|--|--|---|---|--|---|---|
| <p>A</p>  <p>x12pcs</p> | <p>B</p>  <p>x24pcs</p> | <p>d</p>  <p>x5pcs</p> | <p>D</p>  <p>x1pc</p> | <p>E</p>  <p>x1pc</p> | <p>F</p>  <p>x1pc</p> | <p>G</p>  <p>x4pcs</p> |
| <p>H</p>  <p>x4pcs</p> | <p>I</p>  <p>x2pcs</p> | <p>J</p>  <p>x2pcs</p> | <p>K</p>  <p>x2pcs</p> | <p>L</p>  <p>x2pcs</p> | <p>M</p>  <p>x2pcs</p> | |

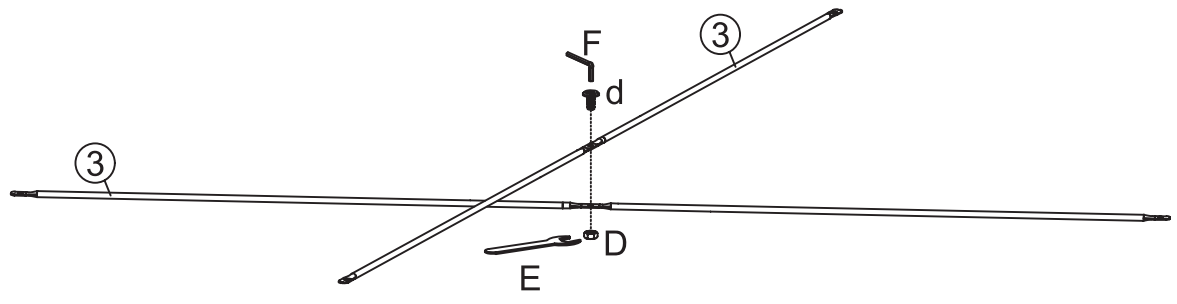
STEP 1



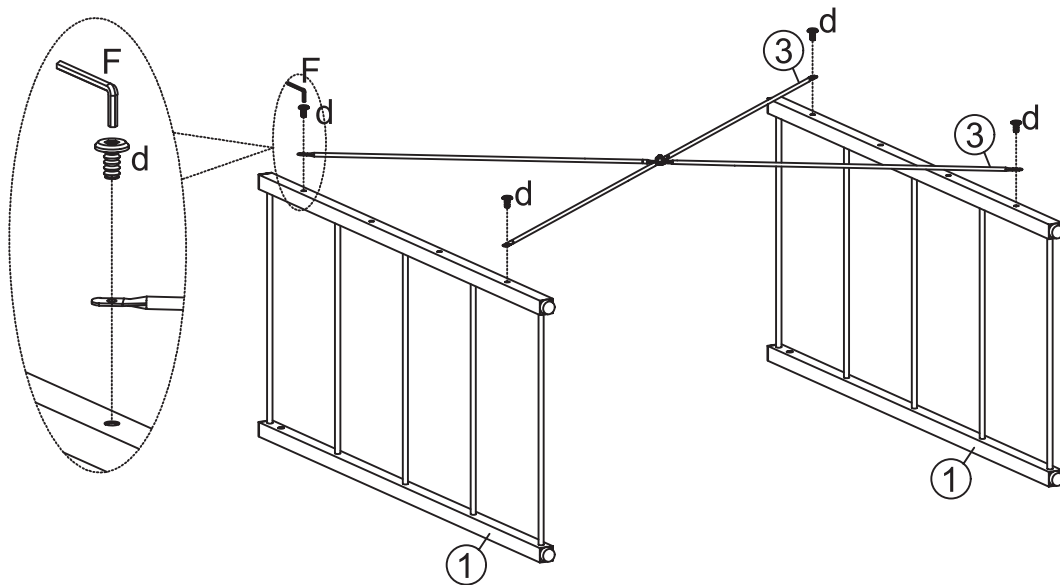
STEP 2



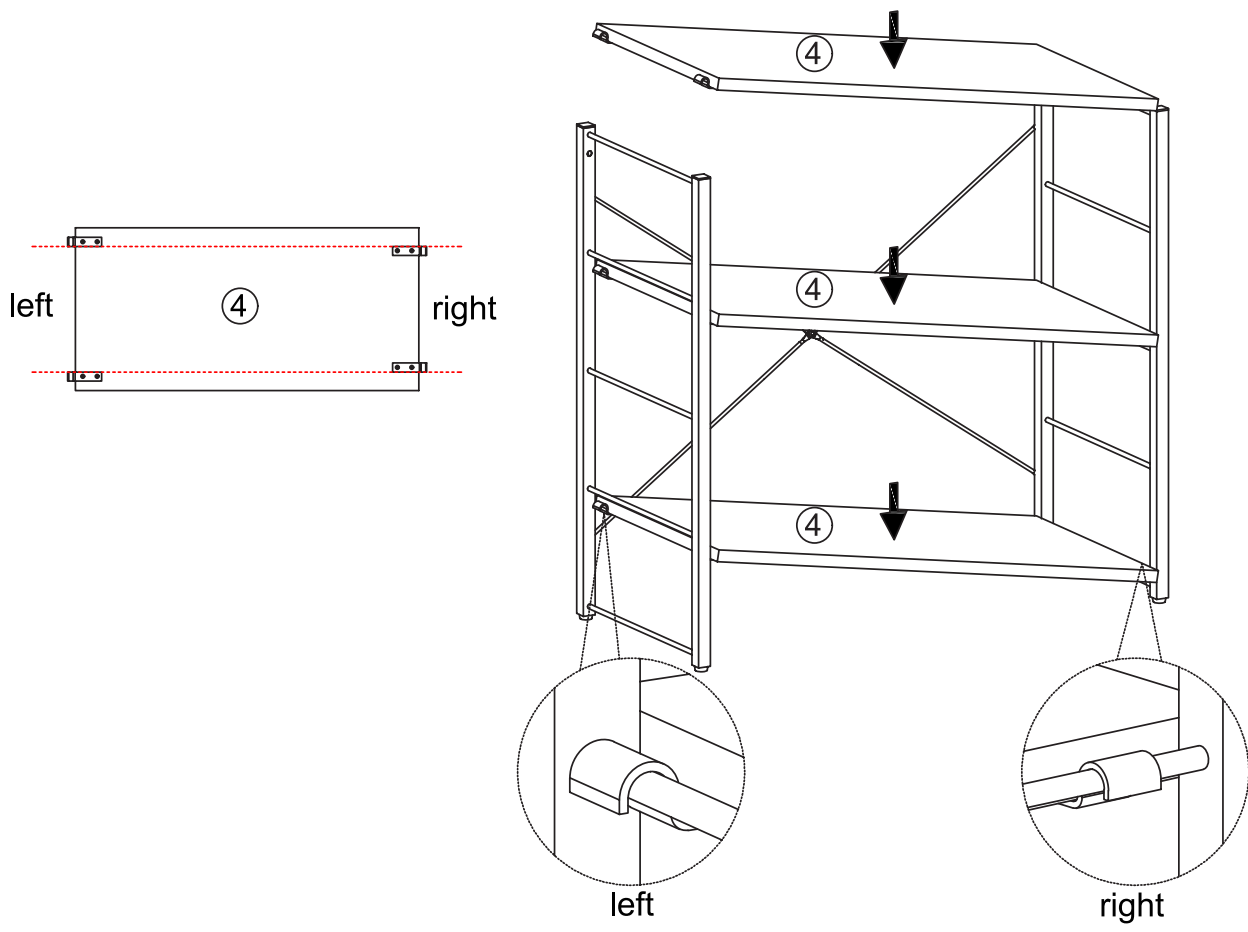
STEP 3



STEP 4

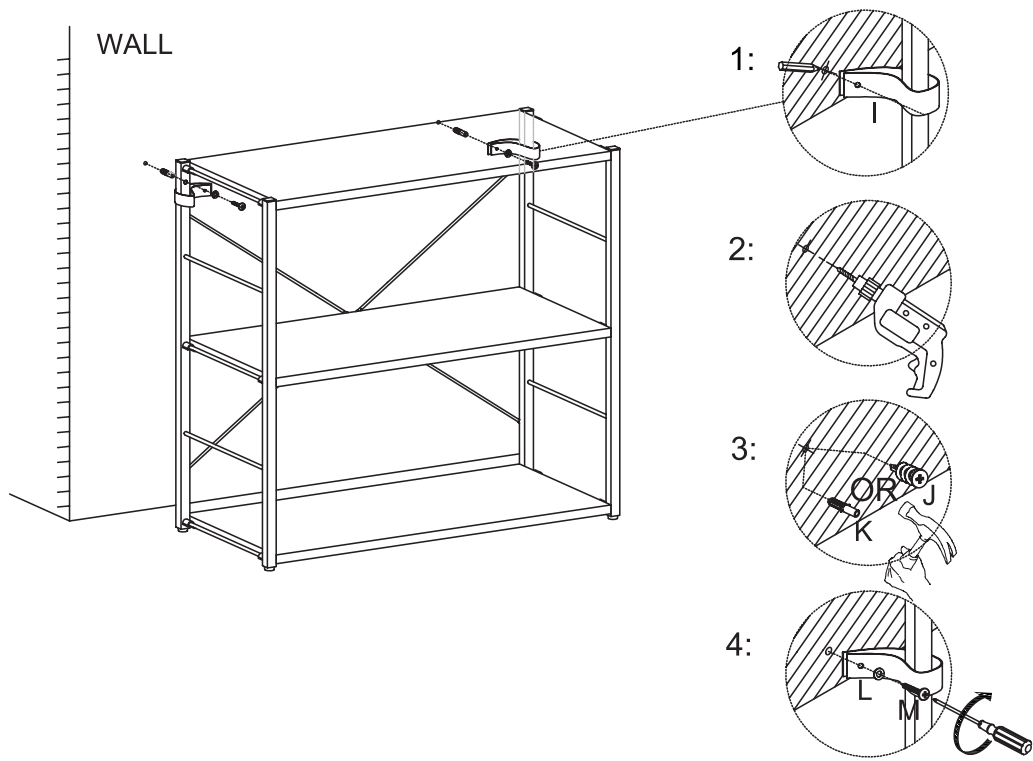


STEP 5



STEP 6

To prevent toppling, wall straps must be positioned below the top rung of each ladder. Ensure the strap is pulled tight before fixing to your wall.



MADE IN CHINA

Distributed by:

Visy Retail Services Pty Ltd (AU): 1300 734 714

Visy Board Limited (NZ): 0800 443 058

flexistorage.com.au
flexistorage.co.nz