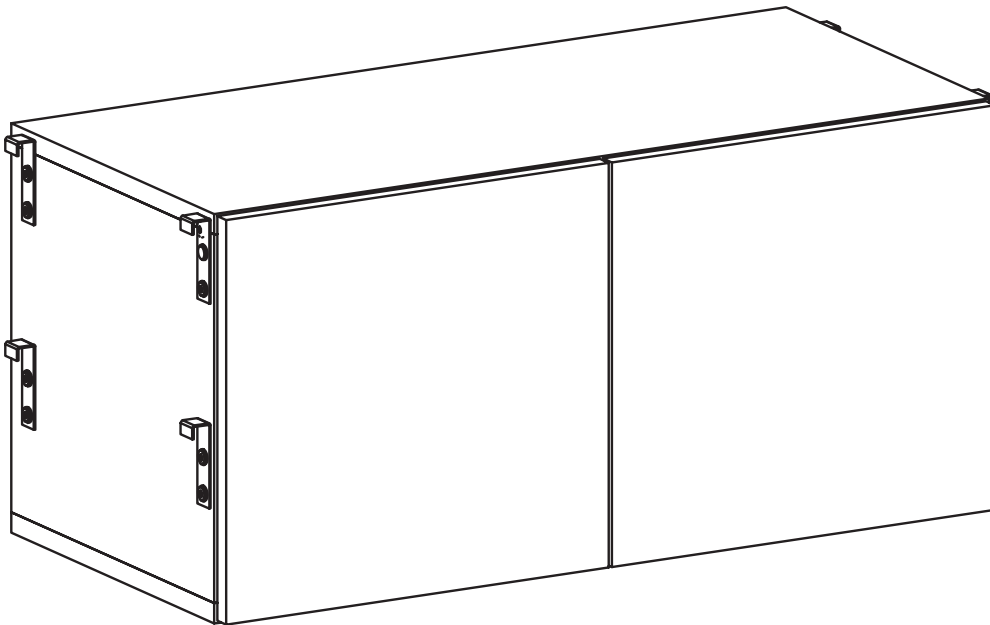




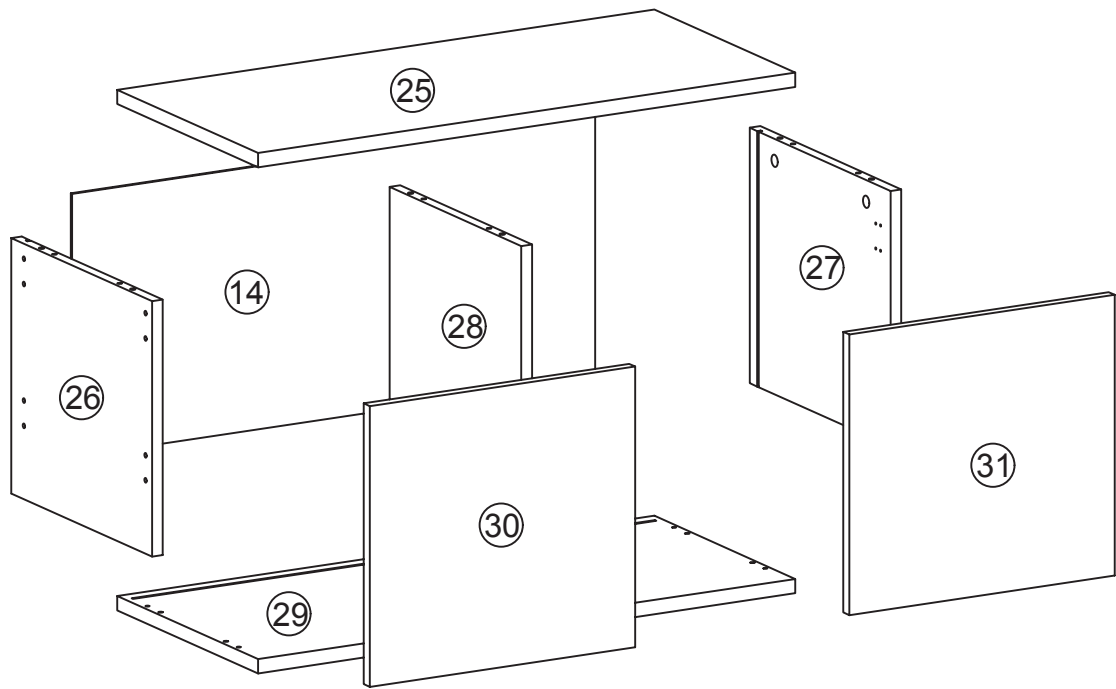
THIS PRODUCT MUST BE INSTALLED ON THE BOTTOM RUNGS OF YOUR SILHOUETTE LADDER FRAME OR STACKED ON OTHER SILHOUETTE DRAWERS & CABINETS (MAXIMUM 2 UNITS HIGH).
















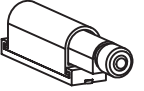


This product requires two people to assemble.

CARE INSTRUCTIONS: We recommend to wipe over with a dry micro-fibre cloth to remove any dust. Avoid using a damp or wet cloth and any cleaning chemicals as this may cause damage to the surface.

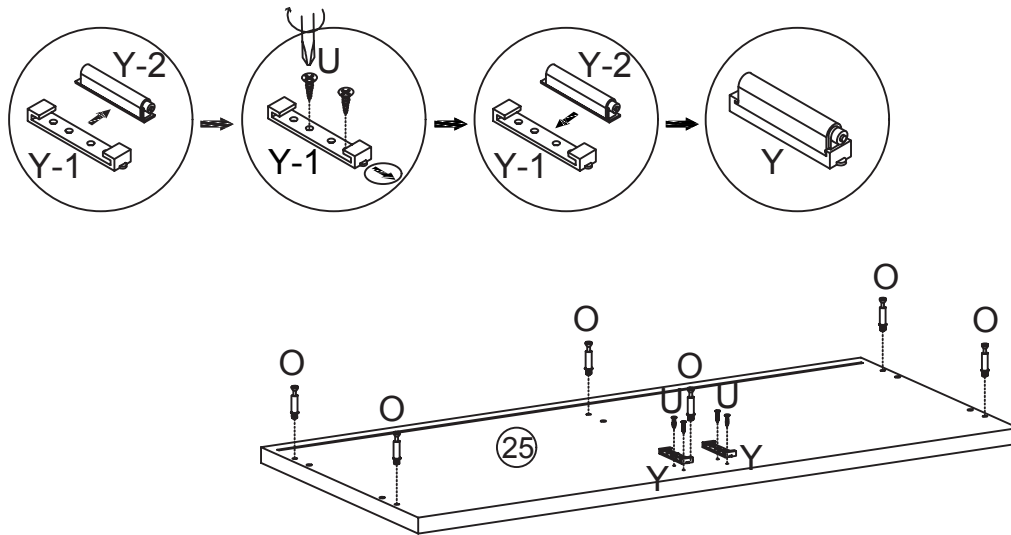
ELEMENTS



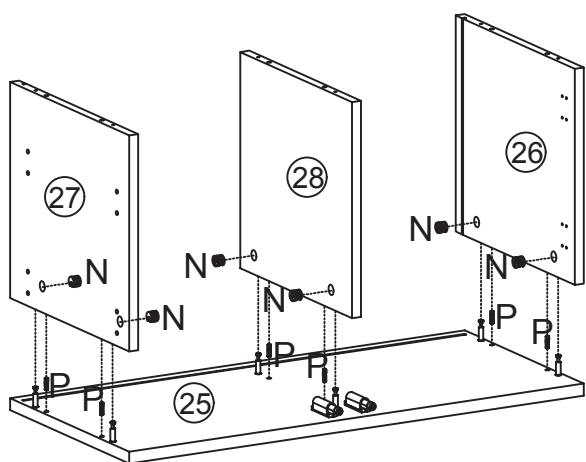
PARTS LIST

| | | | | | | |
|--|---|---|--|---|---|---|
| C  x16pcs | F  x1pc | N  x6pcs | O  x6pcs | P  x12pcs | Q  x6pcs | R  x8pcs |
| S  x1pc | T  x1pc | U  x6pcs | V  x24pcs | W  x4pcs | X  x2pcs | Y  x2pcs |
| a  x4pcs | b  x4pcs | | | | | |

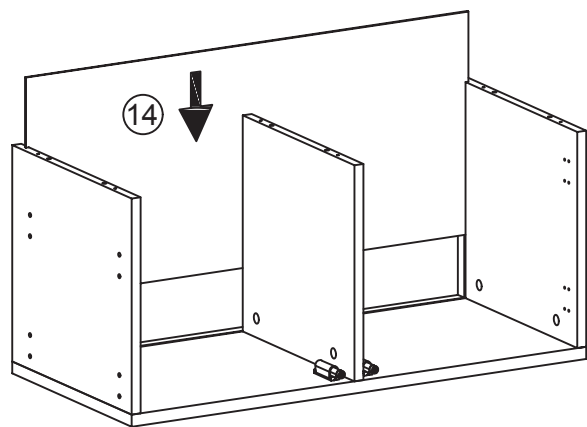
STEP 1



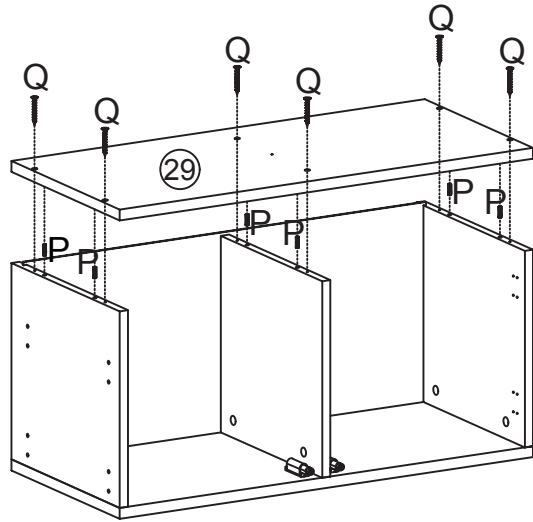
STEP 2



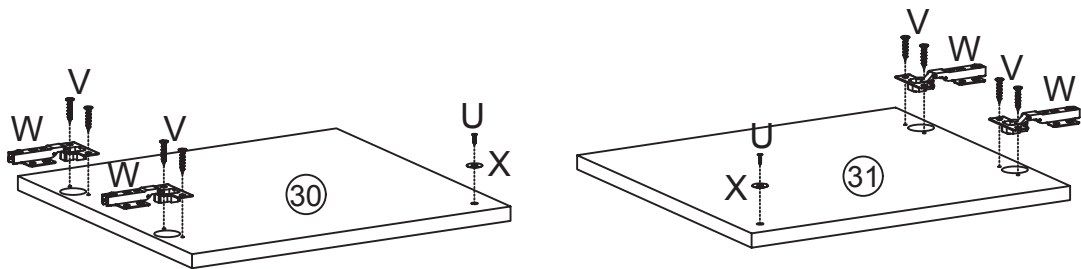
STEP 3



STEP 4

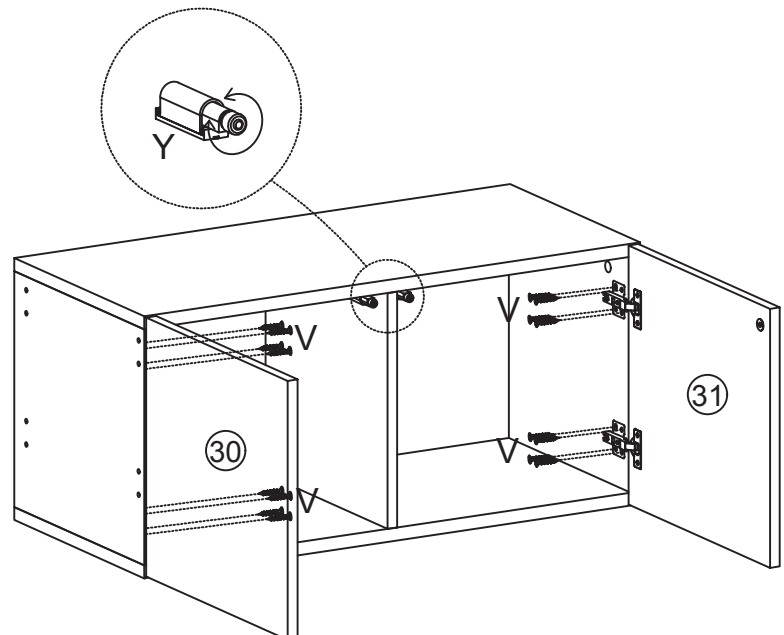


STEP 5

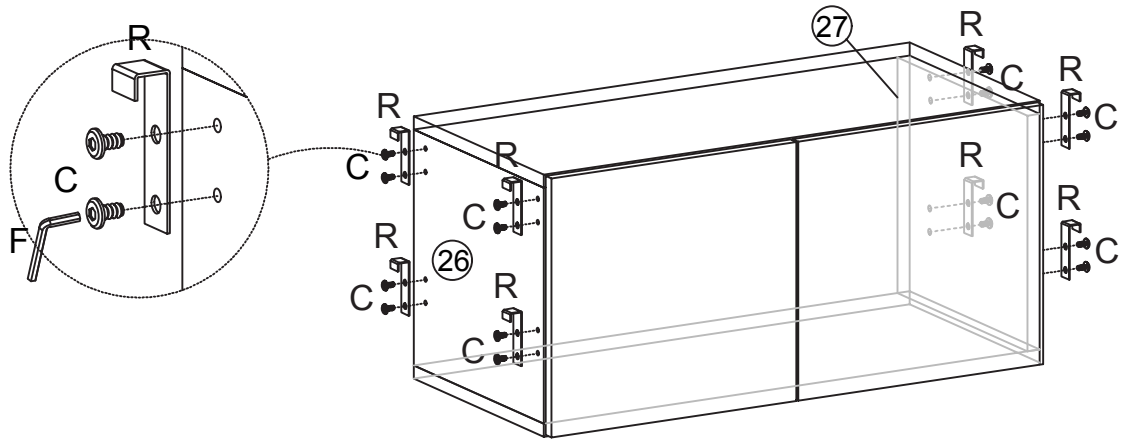


STEP 6

If required, rotate the push-to-open latch to a suitable length.

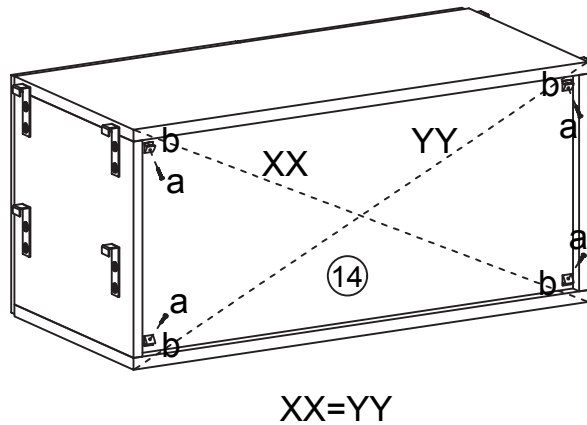


STEP 7



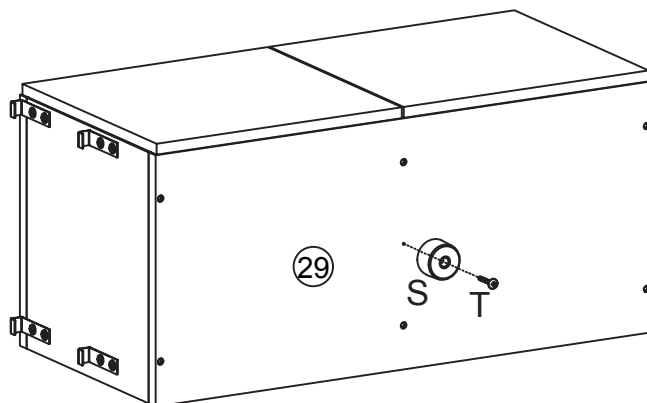
STEP 8

Ensure your Unit is square by measuring from corner to corner. If measurement for XX and YY are the same, then secure your Unit with Corner Brackets (b) and Screws (a).



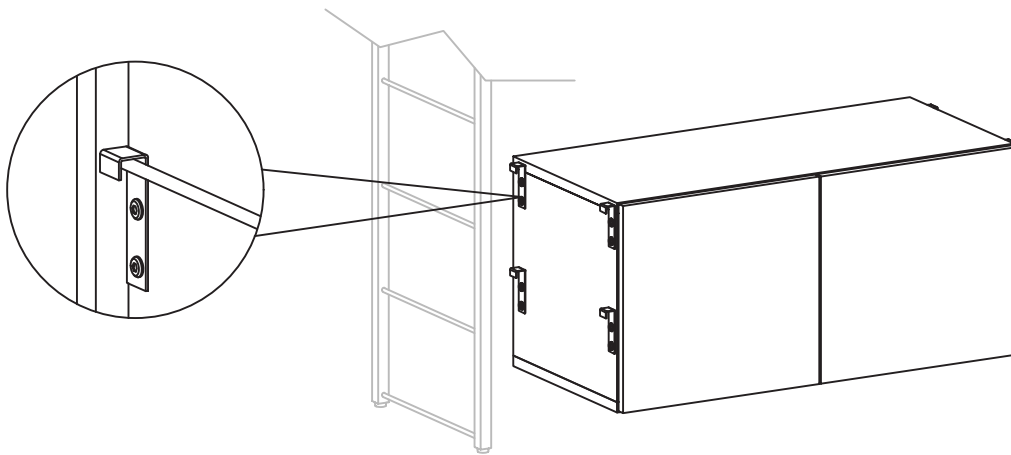
STEP 9

Please note the Support Foot (S) is only required if hanging the Unit from the bottom rungs of your Ladder Frame. Support Foot (S) should be touching the floor.

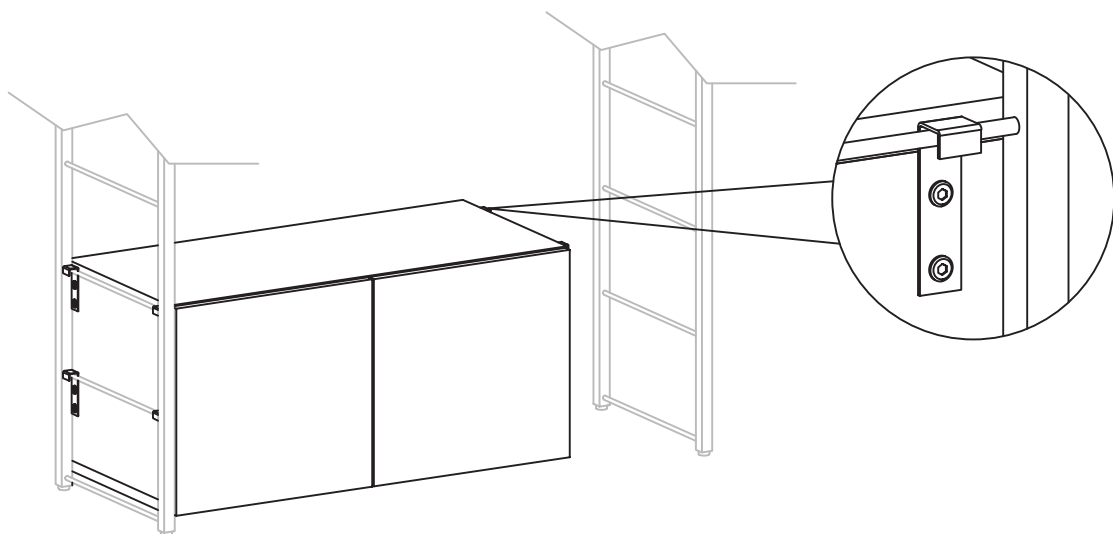


STEP 10.1

1. Please note that Cabinets and Drawers should be installed on the rungs of your Ladder Frame before installing Cross Braces.
2. When positioning Cabinets and Drawers side-by-side in your Silhouette system, we recommend installing your Units from left to right.

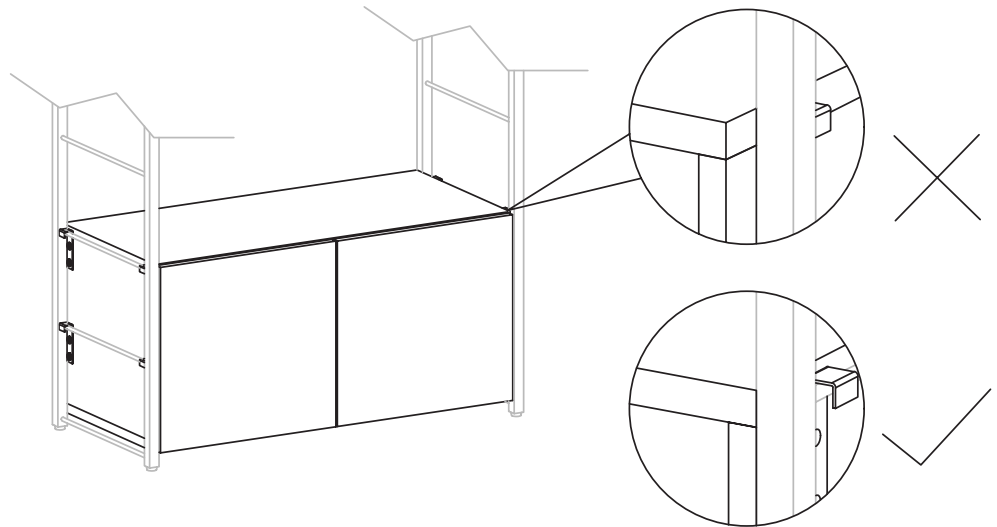


STEP 10.2

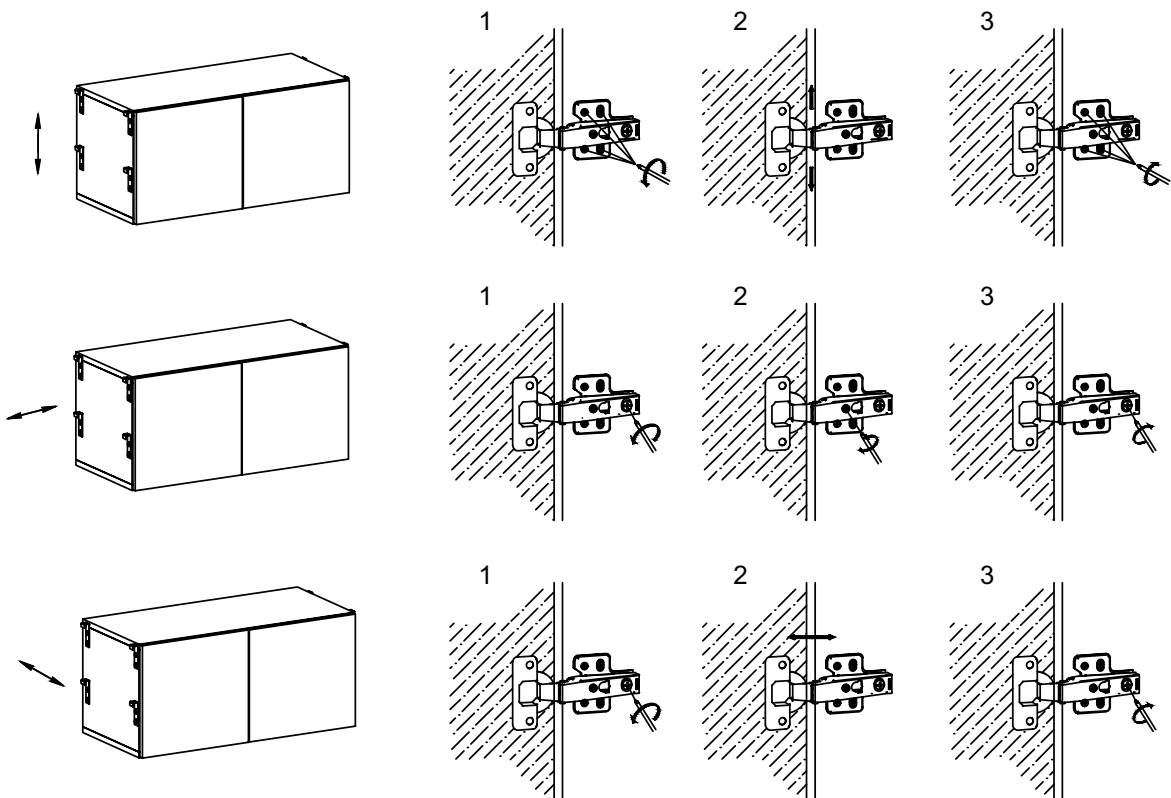


STEP 10.3

Ensure that the installed Unit is flush with the Ladder Frame.



If required, adjust the positioning of the doors using the following steps:



Once you have installed all Cabinets and Drawers on your Ladder Frames, you can secure your system with Cross Braces. Refer to your Silhouette Instruction Manual included with your Base Ladder Frame for these steps.