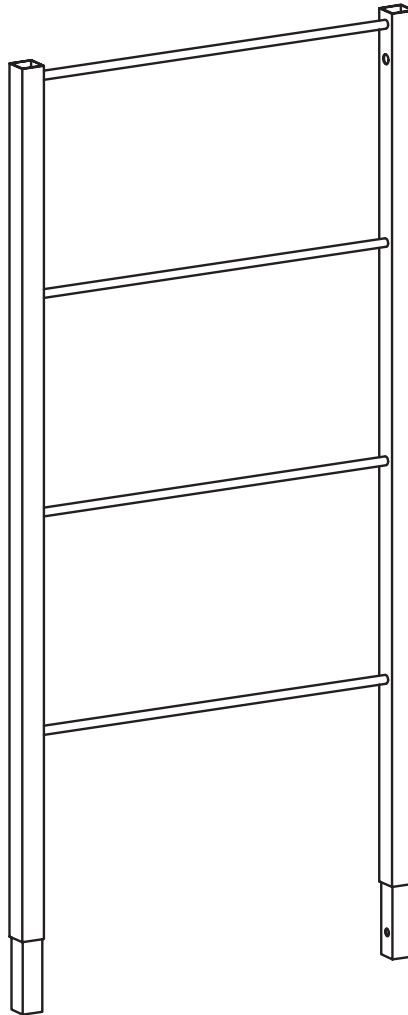


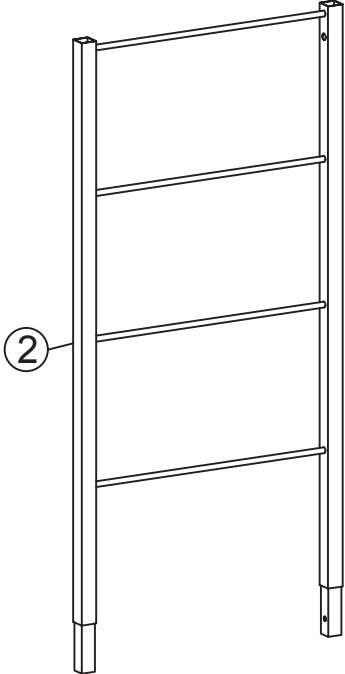


**THIS PRODUCT SHOULD BE PERMANENTLY ANCHORED TO THE WALL OR  
OTHER SUITABLE SURFACE TO AVOID SERIOUS INJURY OR DEATH.**



We strongly recommend that this product be permanently fixed to the wall or other suitable surface. Wall straps are included with Base Ladder Frames. Fixing hardware is not included since different surface materials require different attachments. Please seek professional advice if you are in doubt what fixing hardware to use. Regularly check your fixing device.



**ELEMENTS**

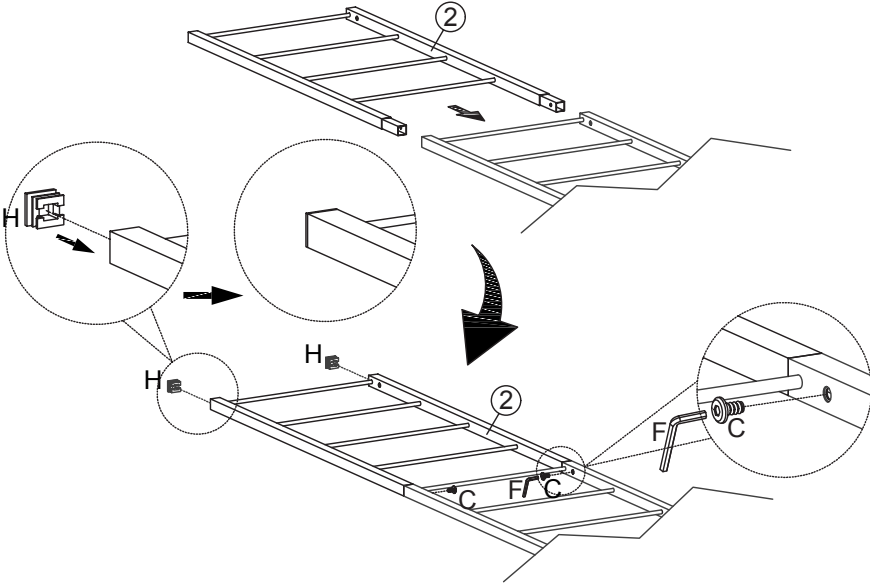


**PARTS LIST**

<p><b>C</b></p>  <p>x2pcs</p>	<p><b>F</b></p>  <p>x1pc</p>
--	---

**STEP 1**

1. Attach your Ladder Frame Extension to your Base Ladder Frame or other Extension.
2. Once you have assembled your Ladder Frame, insert your End Caps (H) into the upper most part of the Frame. Please note that the End Caps are included with Base Ladder Frames and are not included with Ladder Extensions.



Refer to your Silhouette Instruction Manual included with your Base Ladder Frame for the next steps.