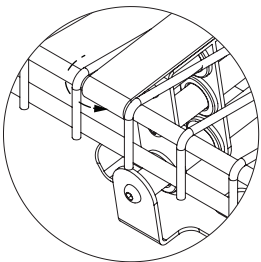
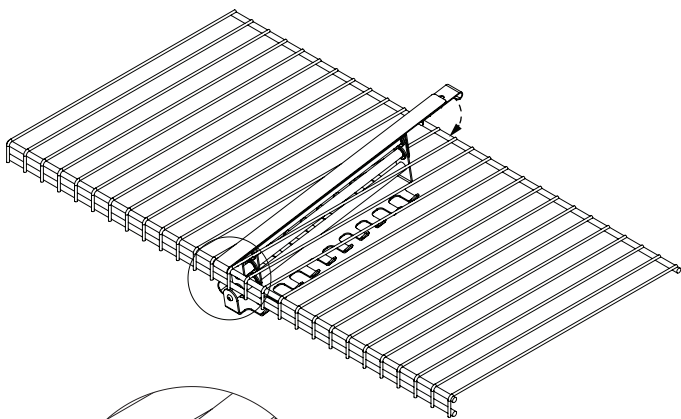


STEP 1

Attach front hook onto front wire shelf.



STEP 2

Pull the tab forward to attach the rear hook to the back of the shelf, and tighten the wingnut to secure.

