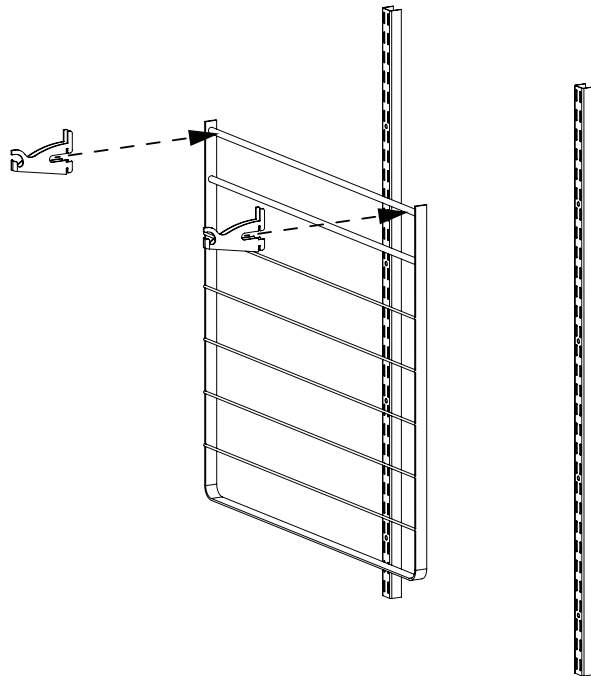


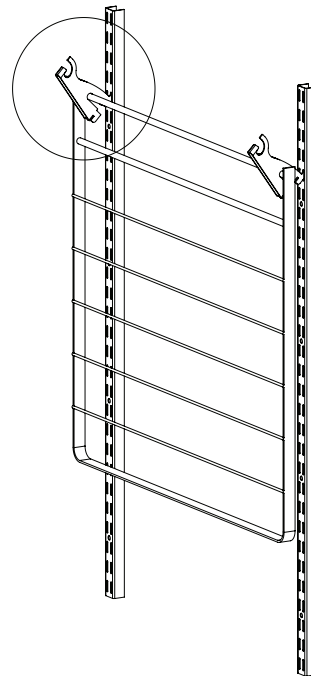
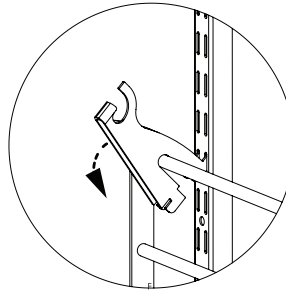
**STEP 1**

Feed brackets over first rod.



**STEP 2**

Angle brackets and feed top hooks through the first set of slots.



**STEP 3**

Feed bottom bracket hooks into second set of slots and push down.

