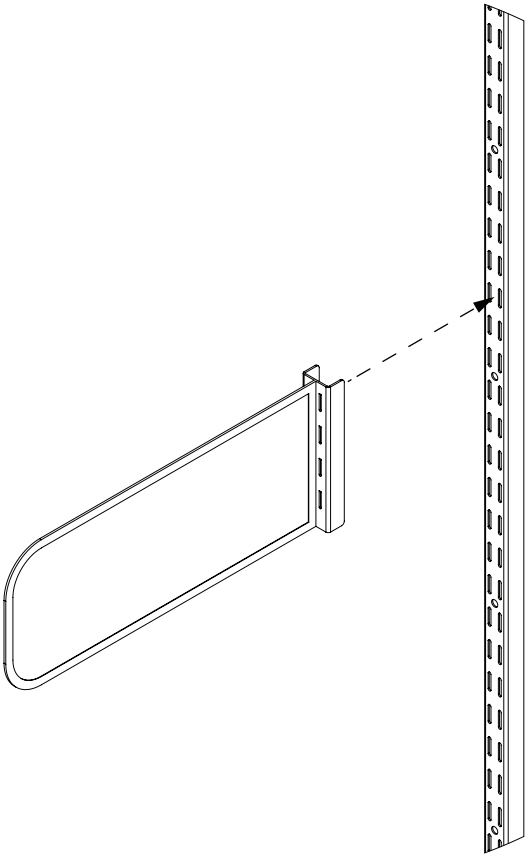


**STEP 1**

Align tabs to the slots on the double wall strip.



**STEP 2**

Insert tabs into wall strip and push down to secure.

