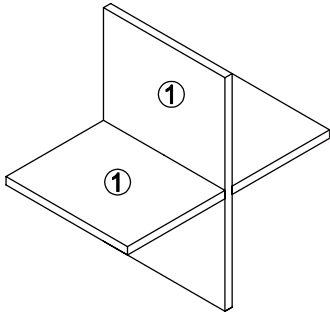
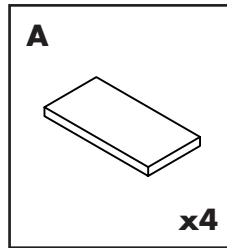


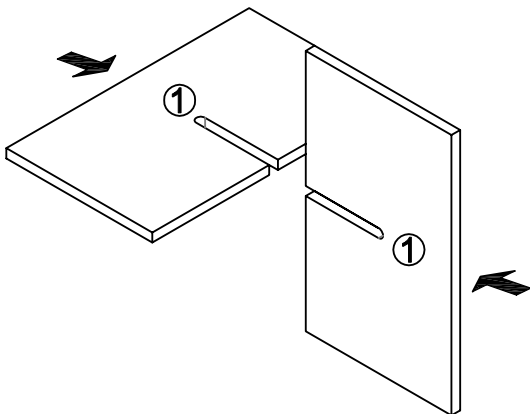
**ELEMENT**



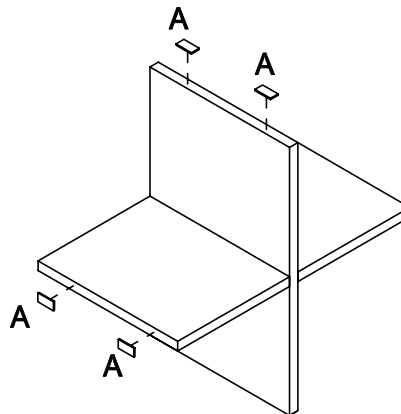
**HARDWARE**



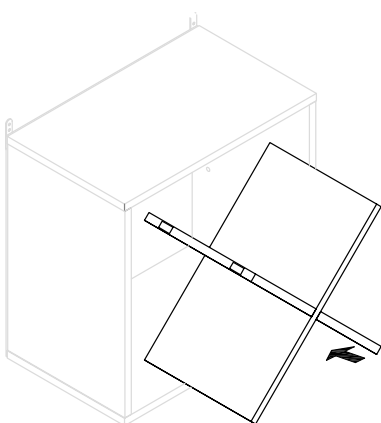
**STEP 1**



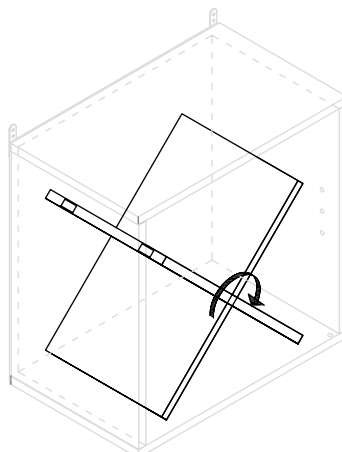
**STEP 2**



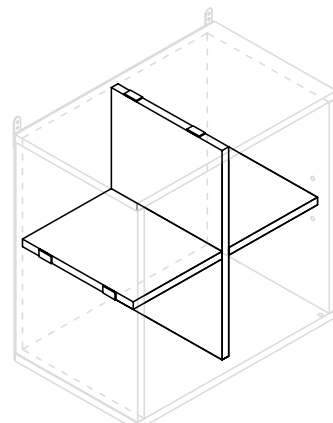
**STEP 3**



**STEP 4**



**STEP 5**



DISTRIBUTED BY:  
Visy Retail Services Pty Ltd (AU): 1300 734 714  
Visy Board Limited (NZ): 0800 443 058

For more information please visit:  
[www.flexistorage.com.au](http://www.flexistorage.com.au)  
[www.flexistorage.co.nz](http://www.flexistorage.co.nz)