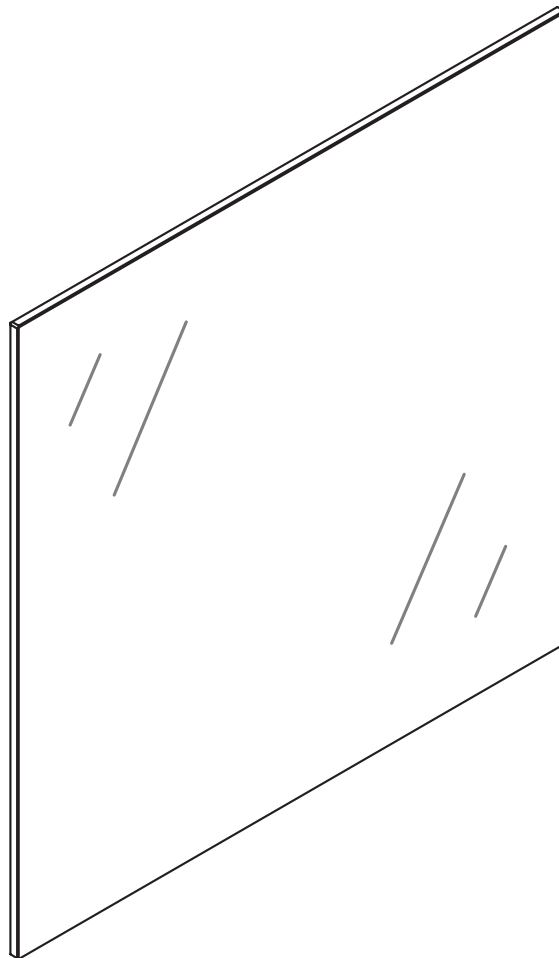


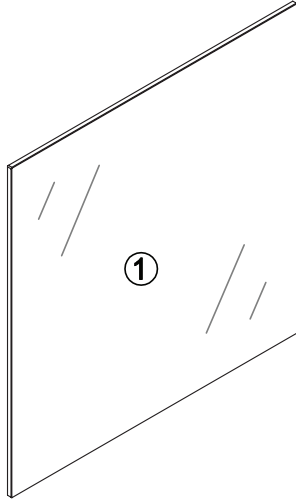


Caution! Glass

This item contains glass – use care when handling to avoid damage or injury



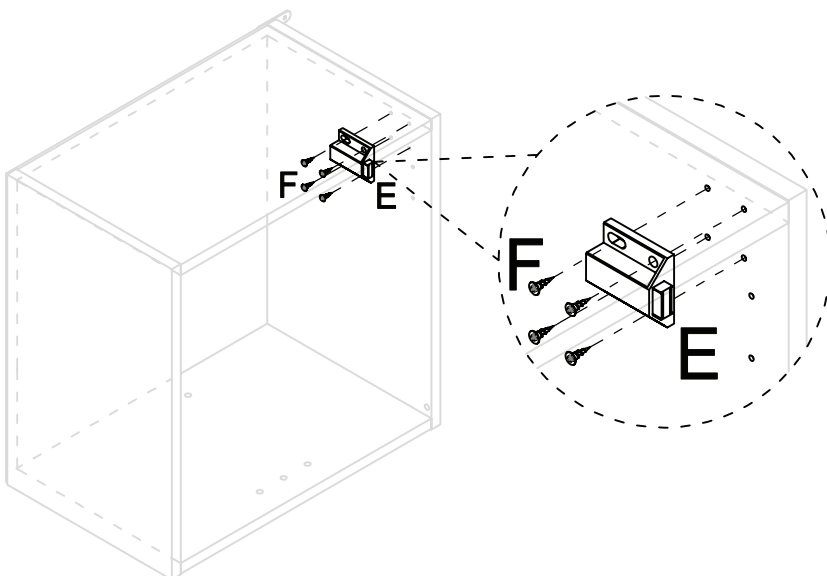
ELEMENT



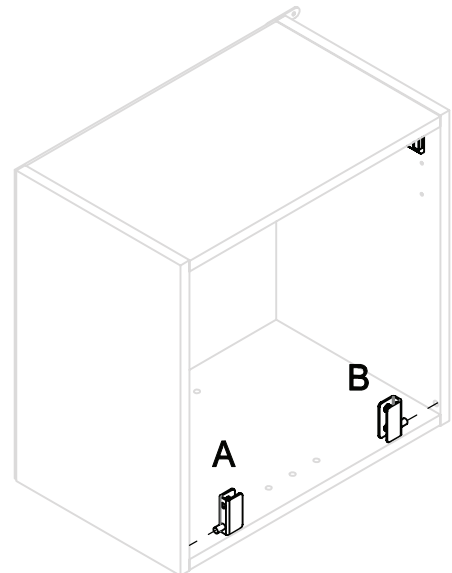
HARDWARE

| | | |
|---------------------------|---------------------------|---------------------------|
| <p>A</p> <p>x1</p> | <p>B</p> <p>x1</p> | <p>C</p> <p>x1</p> |
| <p>D</p> <p>x3</p> | <p>E</p> <p>x1</p> | <p>F</p> <p>x4</p> |

STEP 1

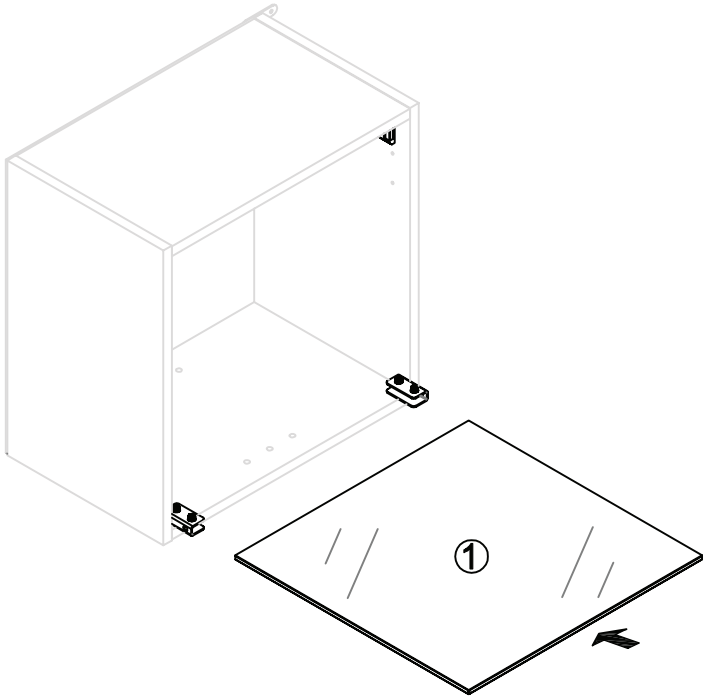


STEP 2

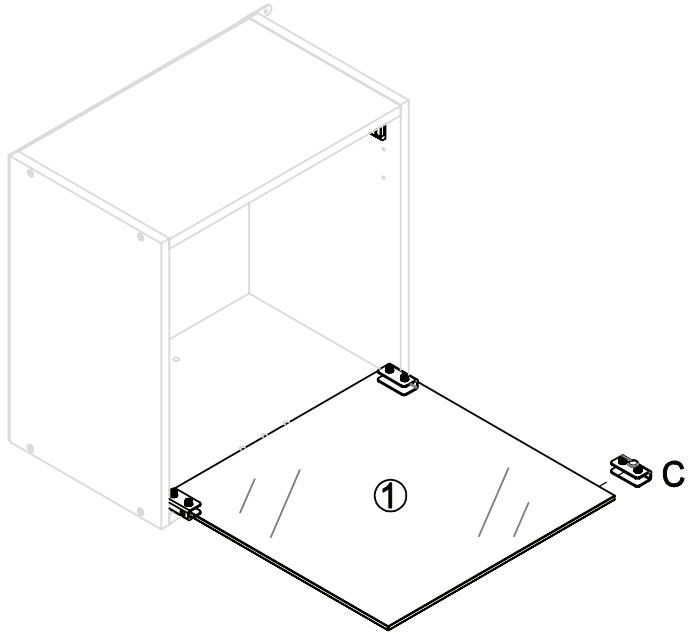


MODRA LARGE CUBE DOOR GLASS ASSEMBLY INSTRUCTIONS

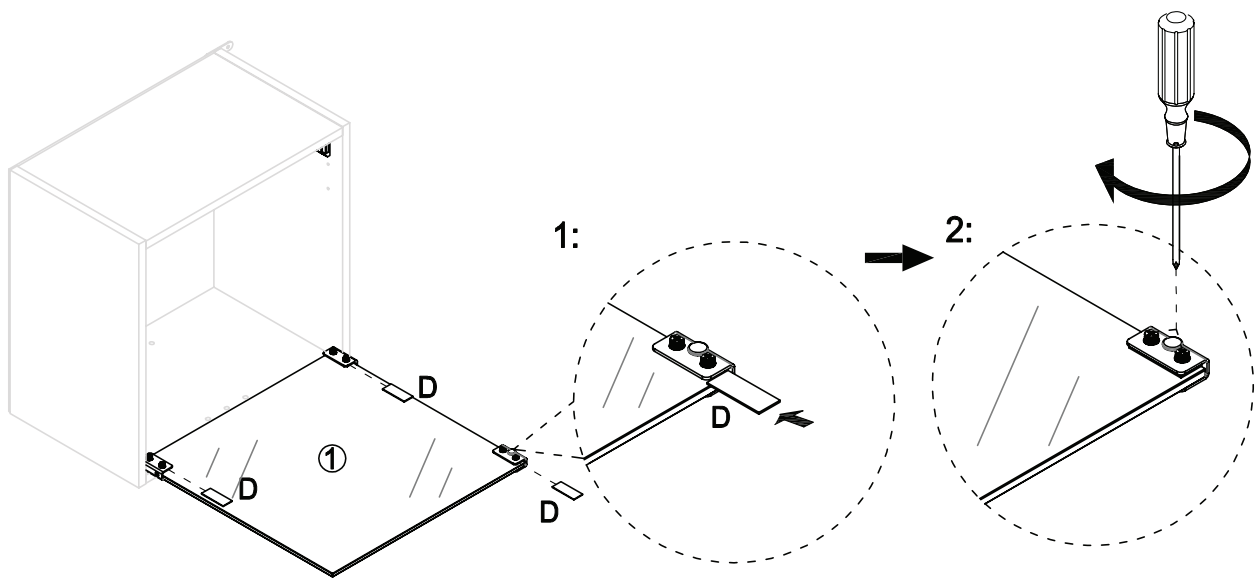
STEP 3



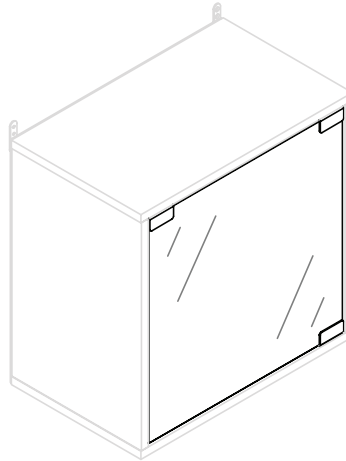
STEP 4



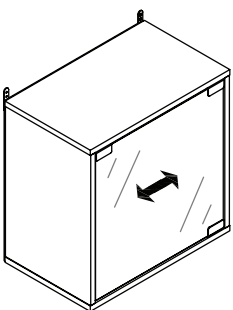
STEP 5



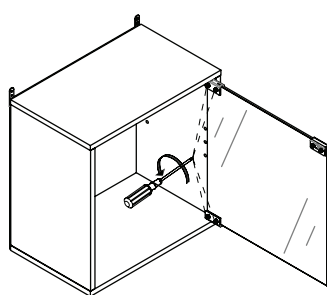
STEP 6



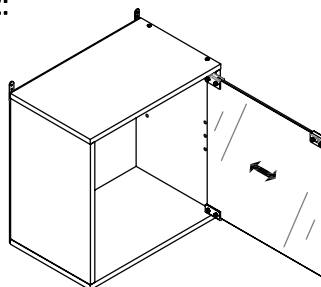
STEP 7



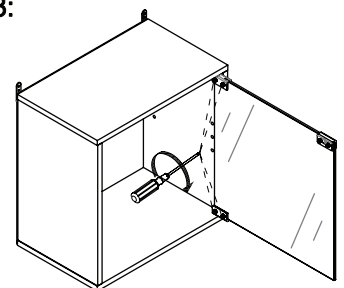
1:



2:



3:



If required, adjust the Door to get an equal gap.