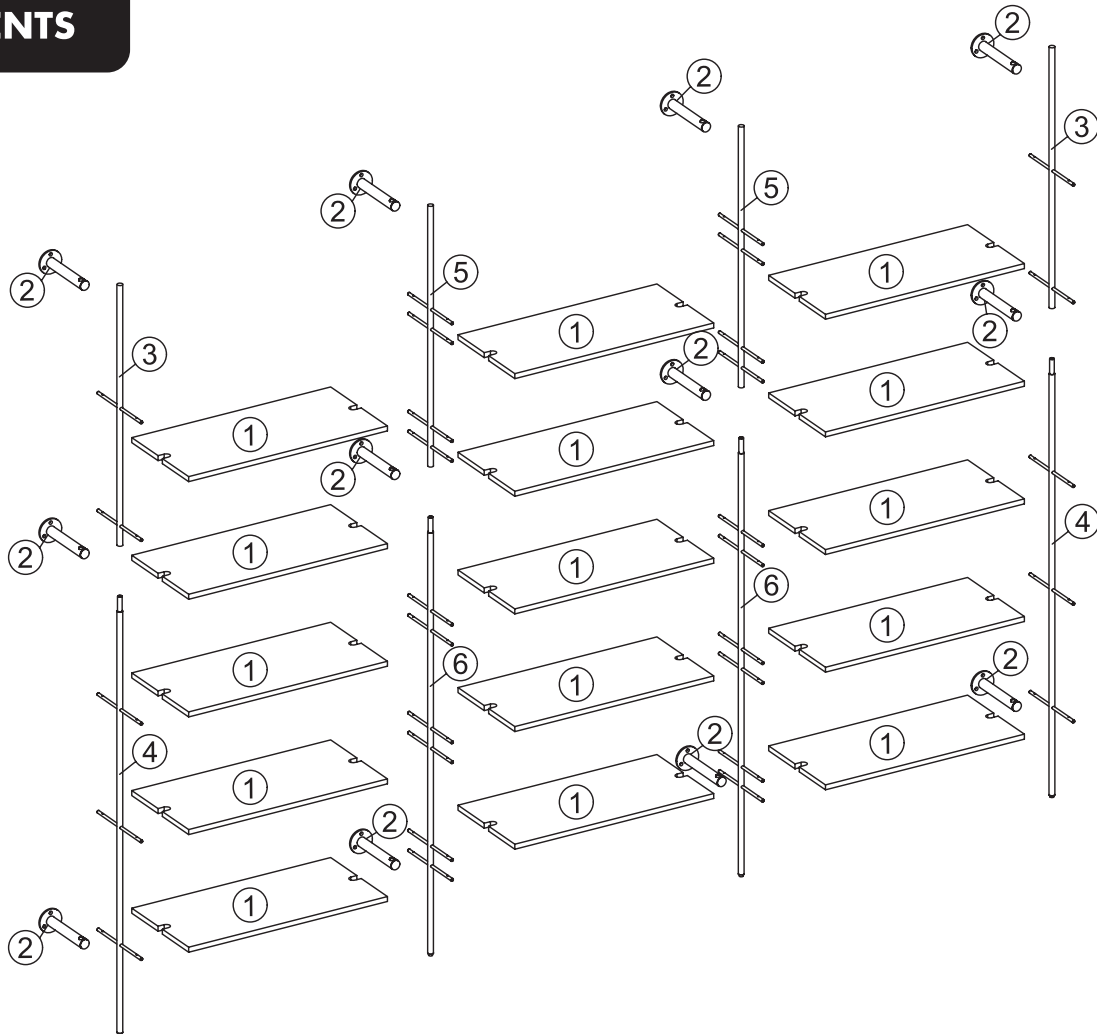


This Kit requires two people to assemble.





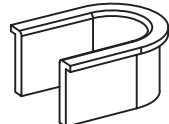


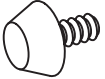
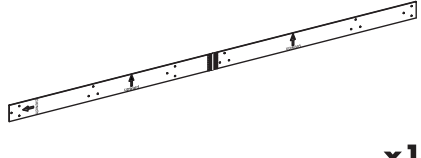
Care Instructions: We recommend to wipe over with a dry micro-fibre cloth to remove dust. Avoid using a damp or wet cloth and any cleaning chemicals as this may cause damage to the surface.







ELEMENTS



HARDWARE

TOOLS

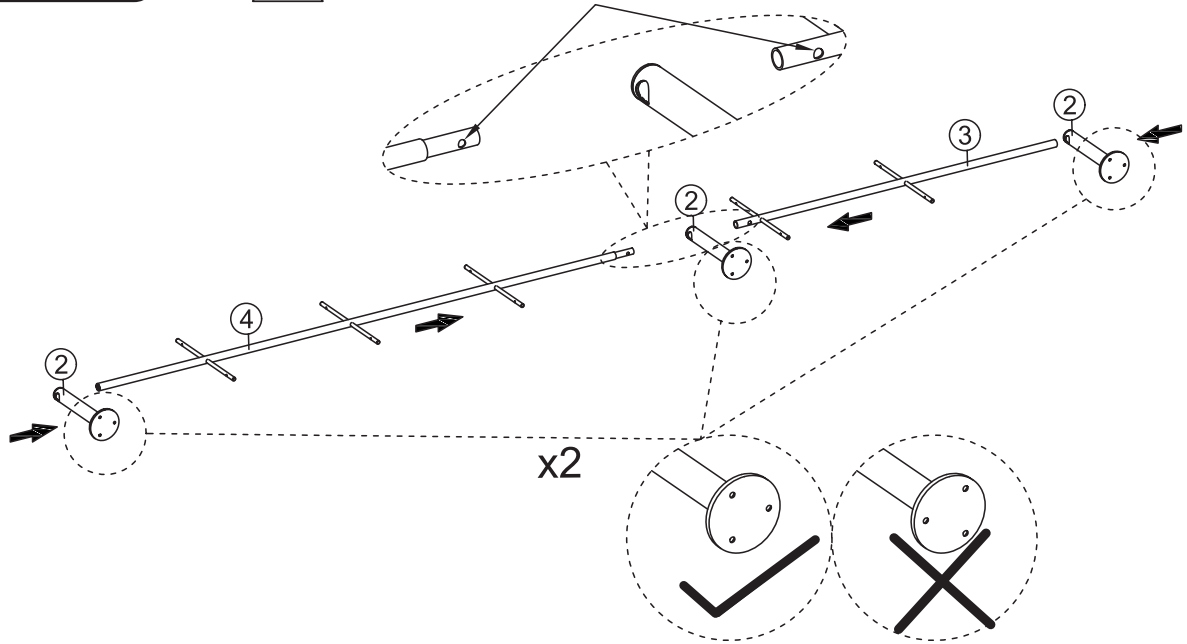
<p>A</p>  <p>x60</p>	<p>B</p>  <p>x36</p>	<p>C</p>  <p>x36</p>	<p>D</p>  <p>x36</p>	<p>E</p>  <p>x30</p>
<p>F</p>  <p>x4</p>	<p>G</p>  <p>x1</p>	<p>H</p>  <p>x4</p>	<p>I</p>  <p>x1</p>	

-  Tape Measure
-  Phillips Head Screw Driver
-  Hammer
-  Spirit level
-  Pencil
-  Drill

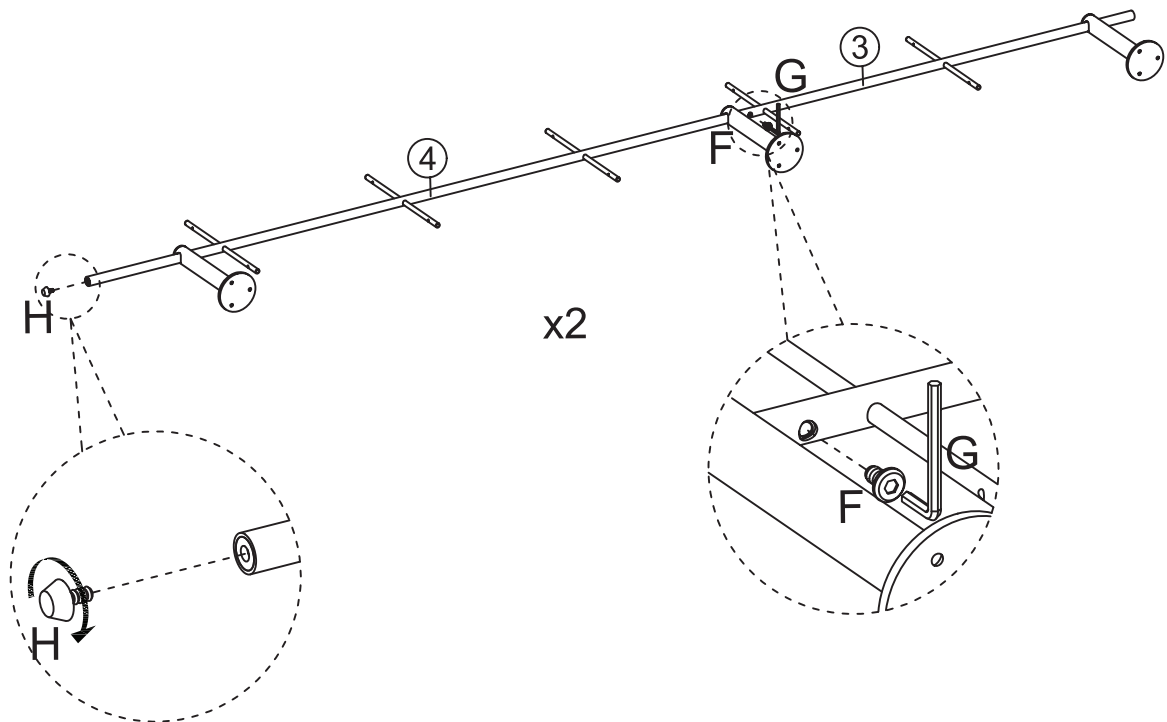
STEP 1



Ensure the end holes in 4 and 3 align.



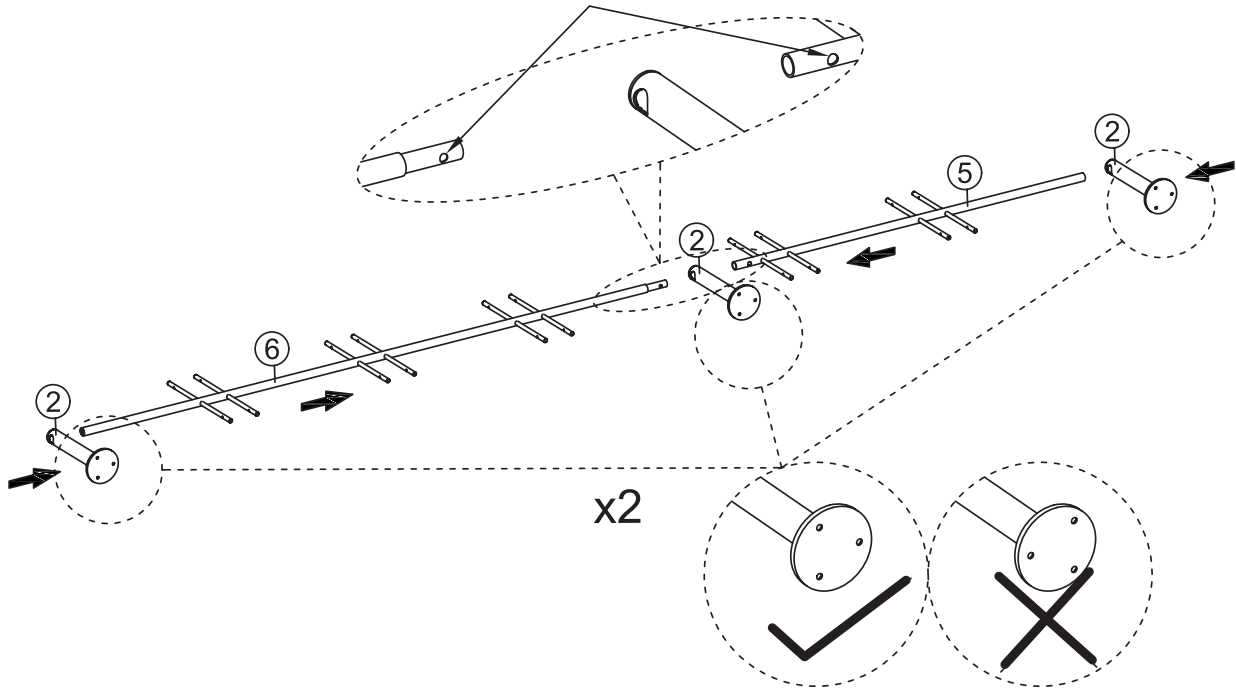
STEP 2



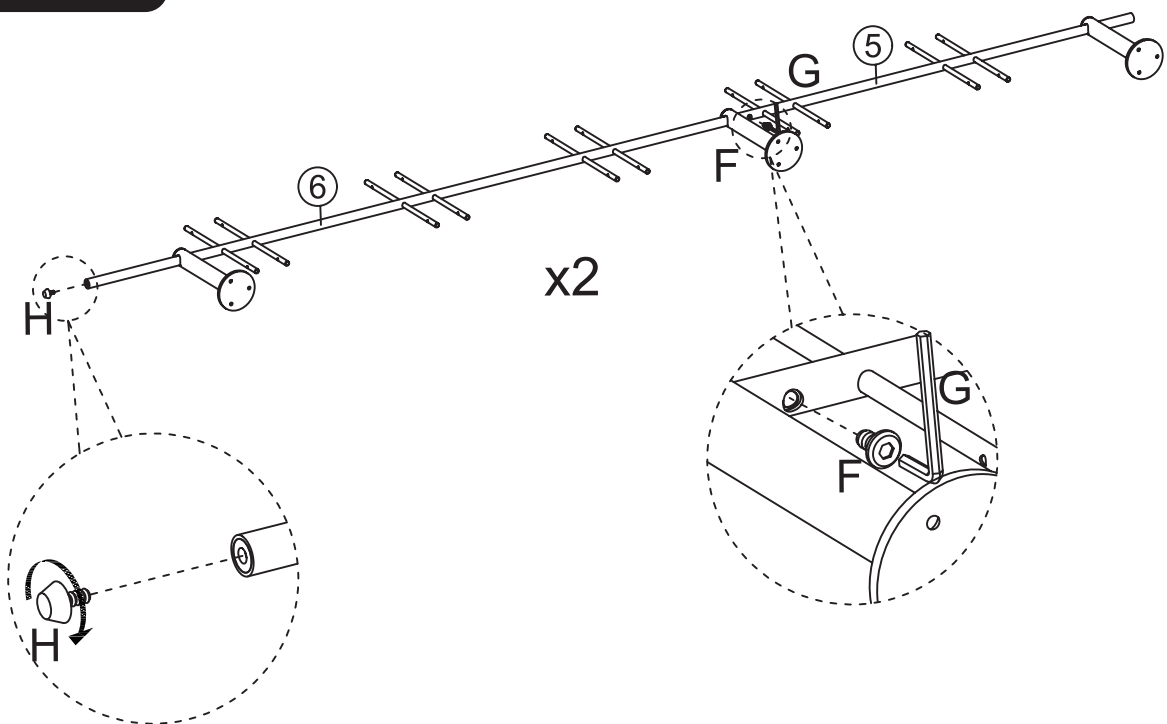
STEP 3



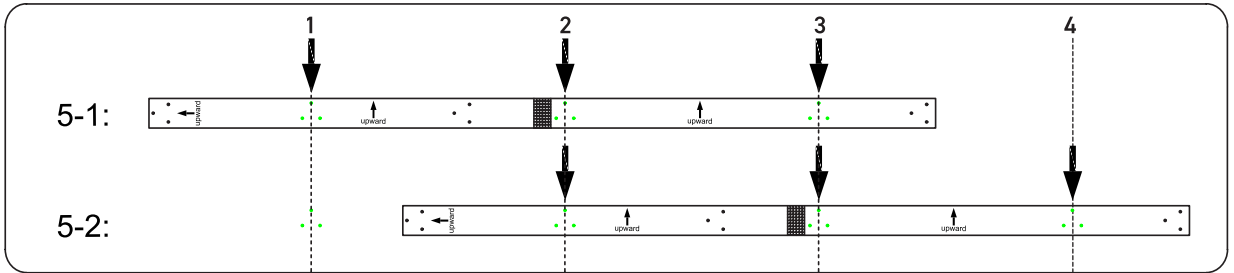
Ensure the end holes in 6 and 5 align.



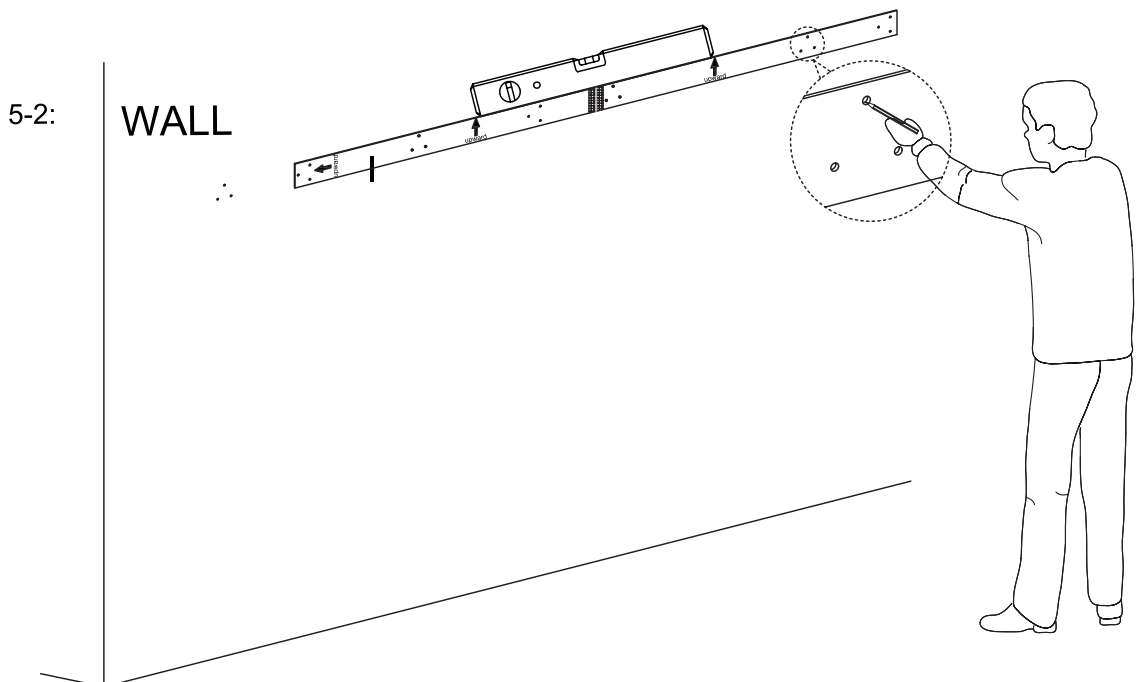
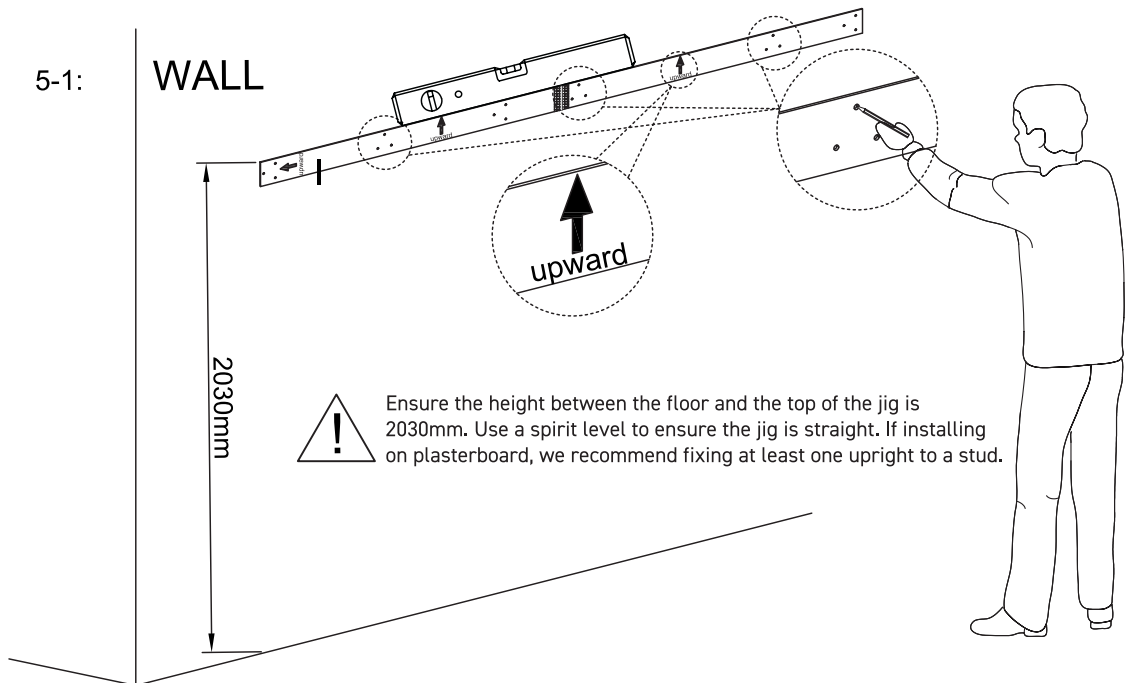
STEP 4



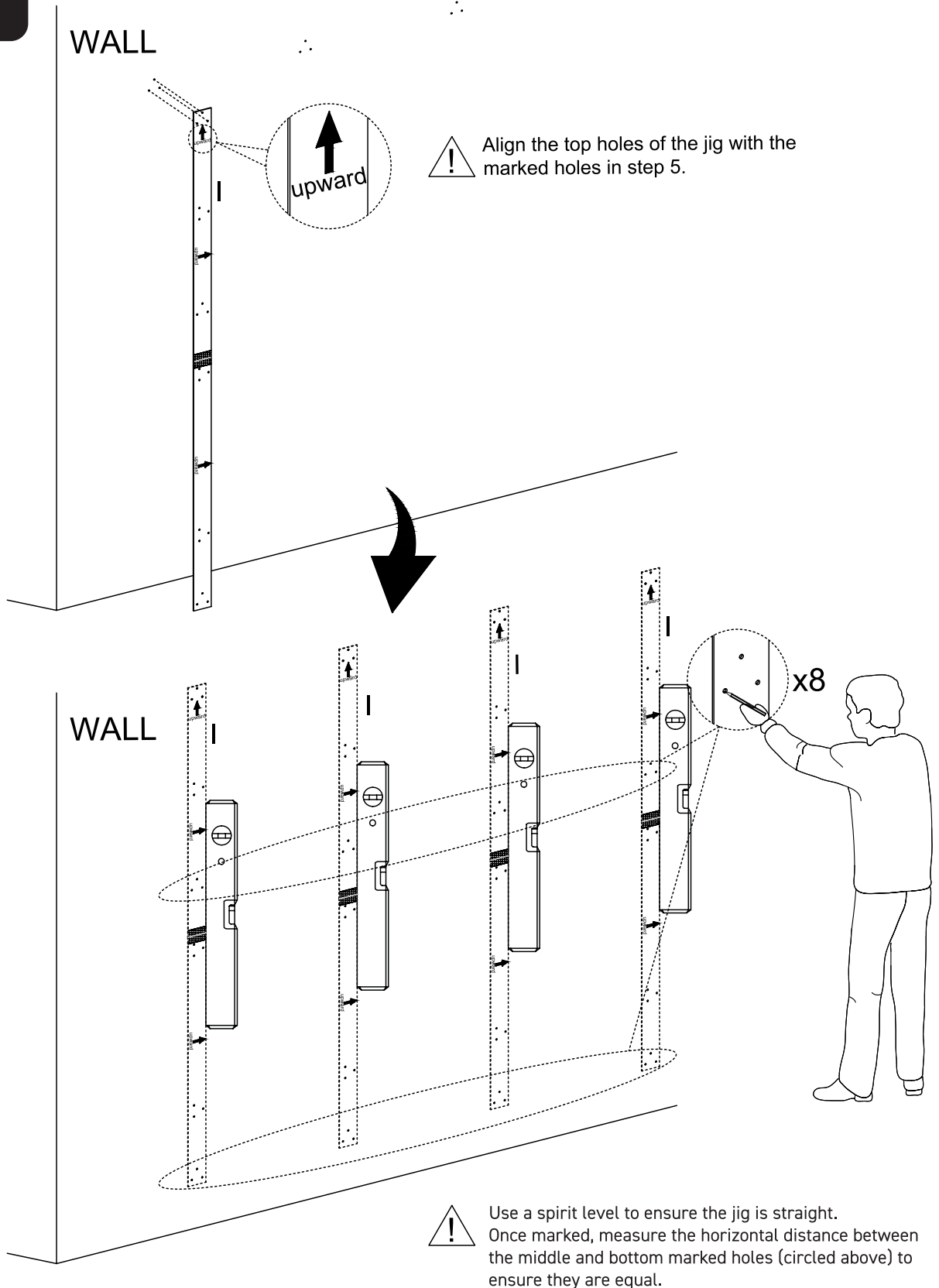
STEP 5



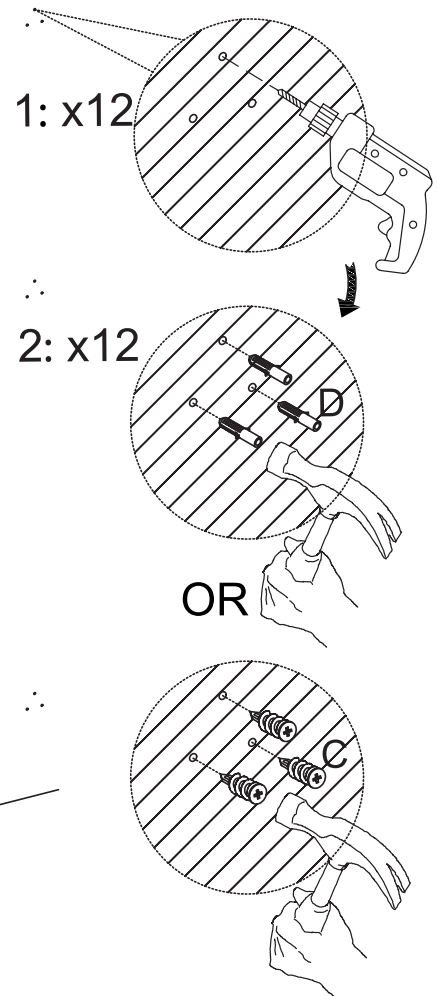
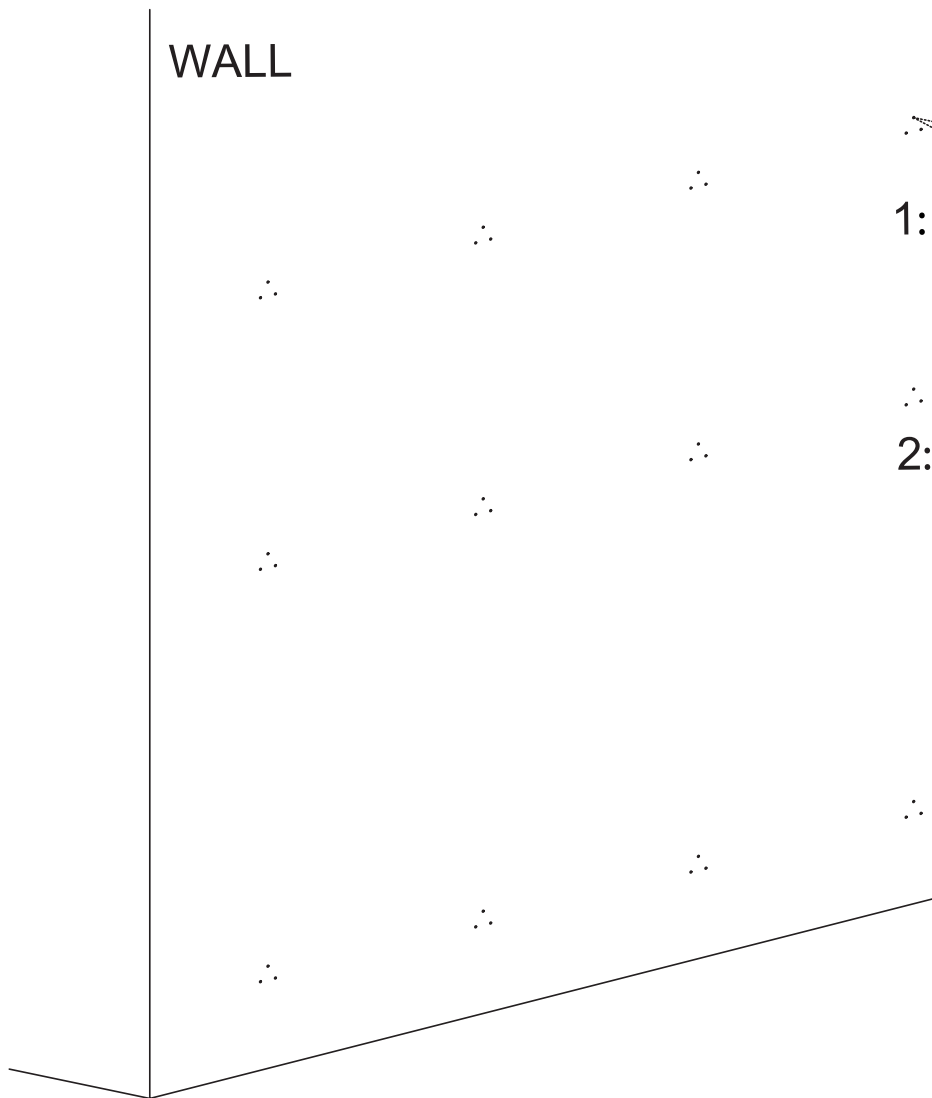
Mark mounting holes shown in 5.1 on the wall with a pencil. Shift the jig horizontally so the second and third pencil markings align with the first and second holes on the jig, then mark a fourth set of mounting holes.




STEP 6

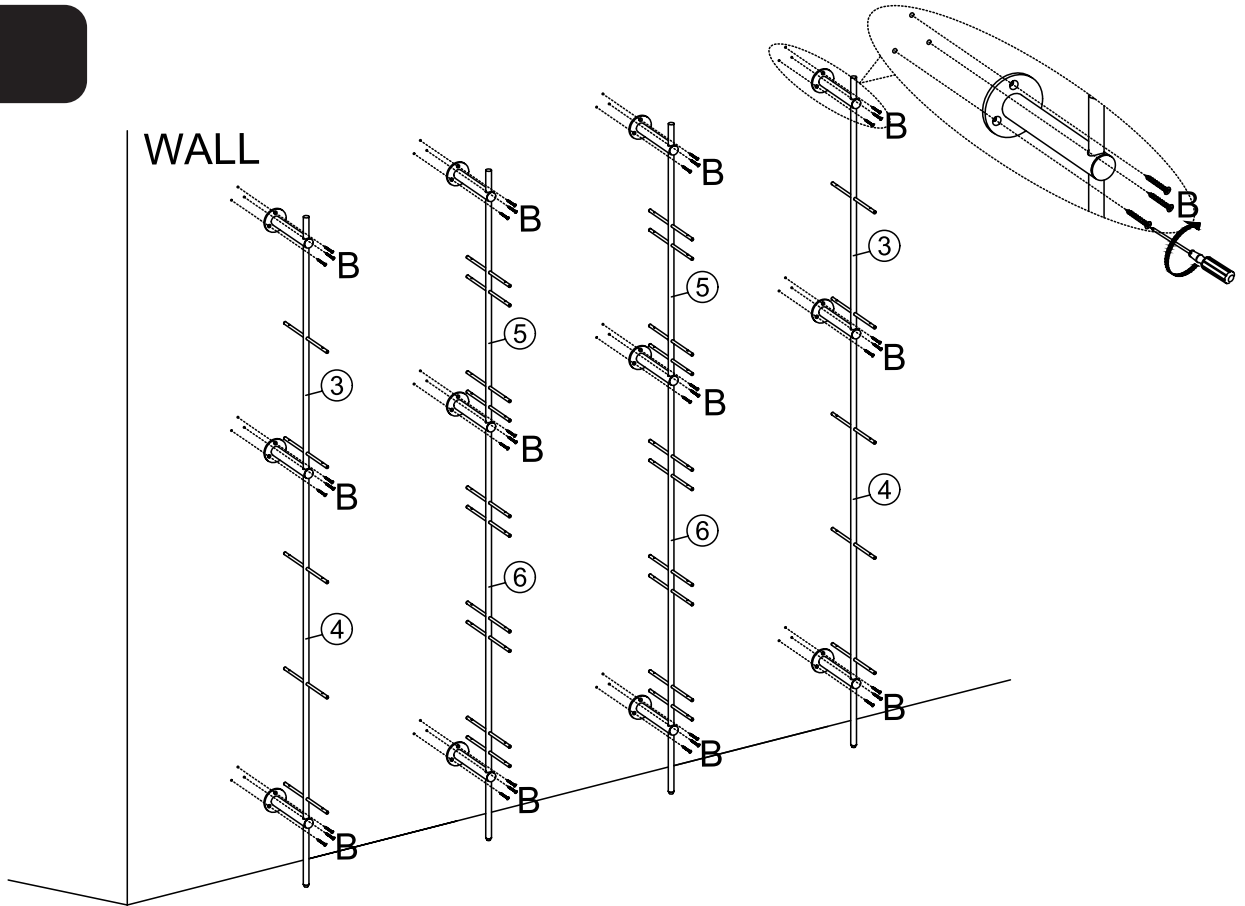


STEP 7

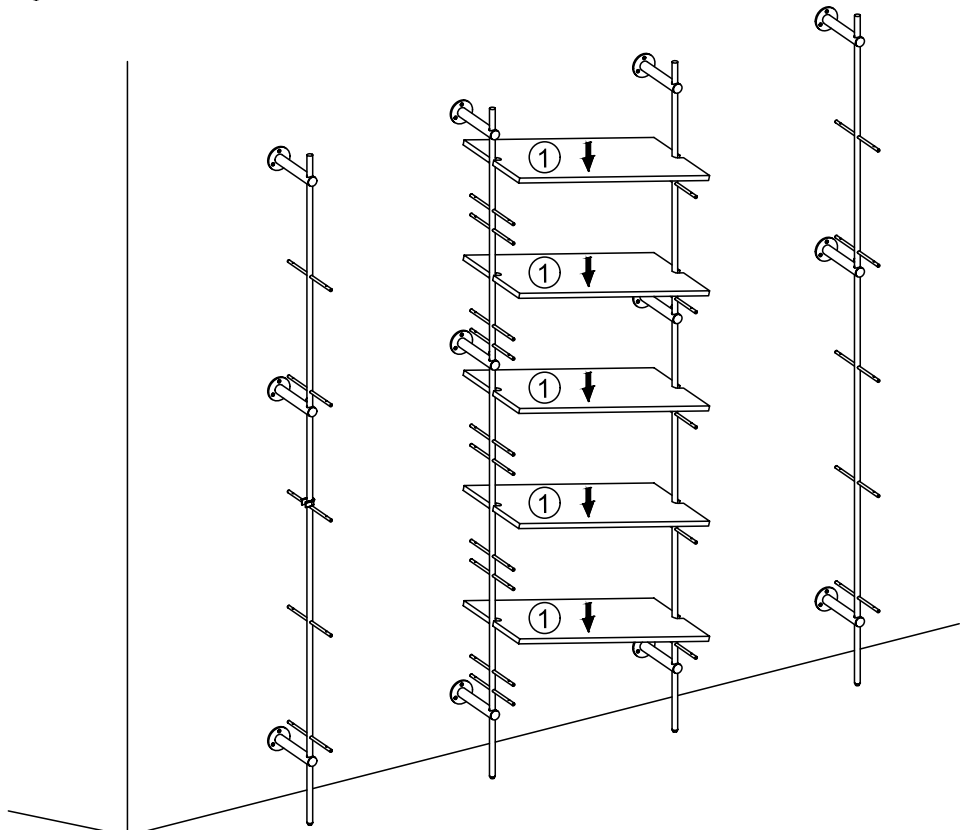


 Different wall types require different wall plugs.

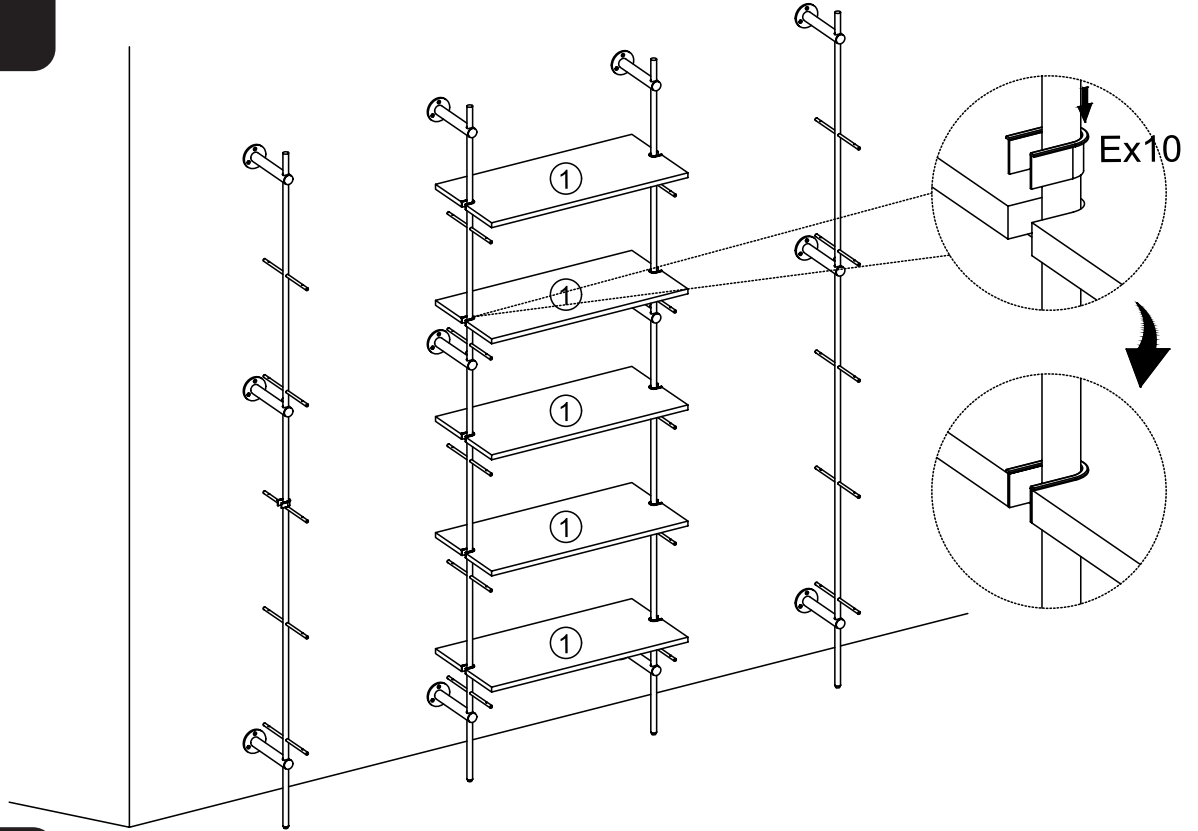
STEP 8



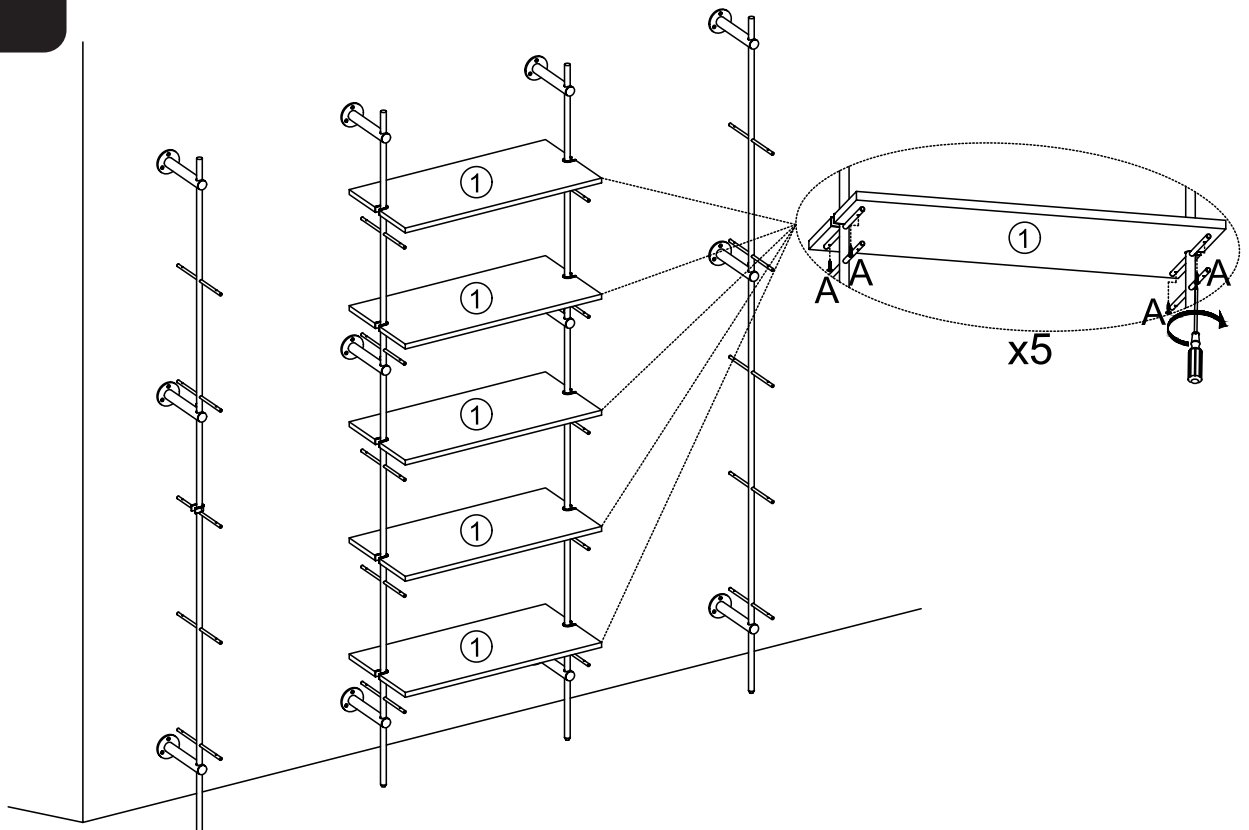
STEP 9



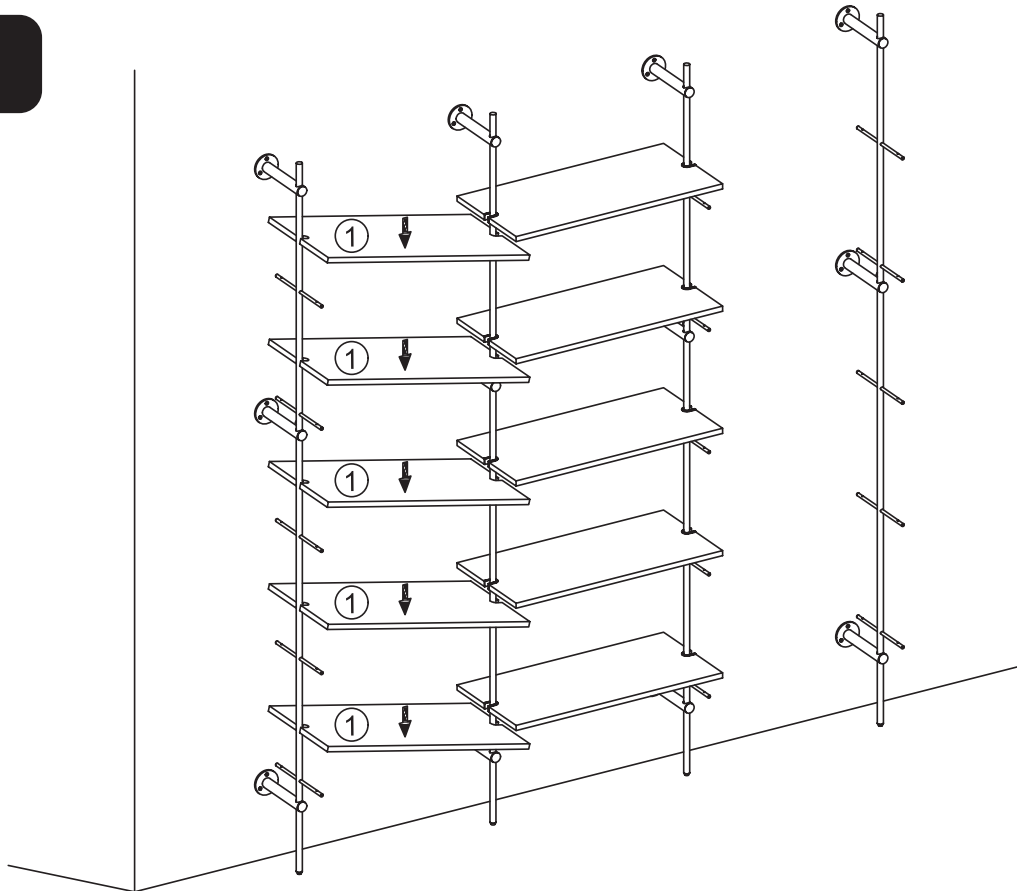
STEP 10



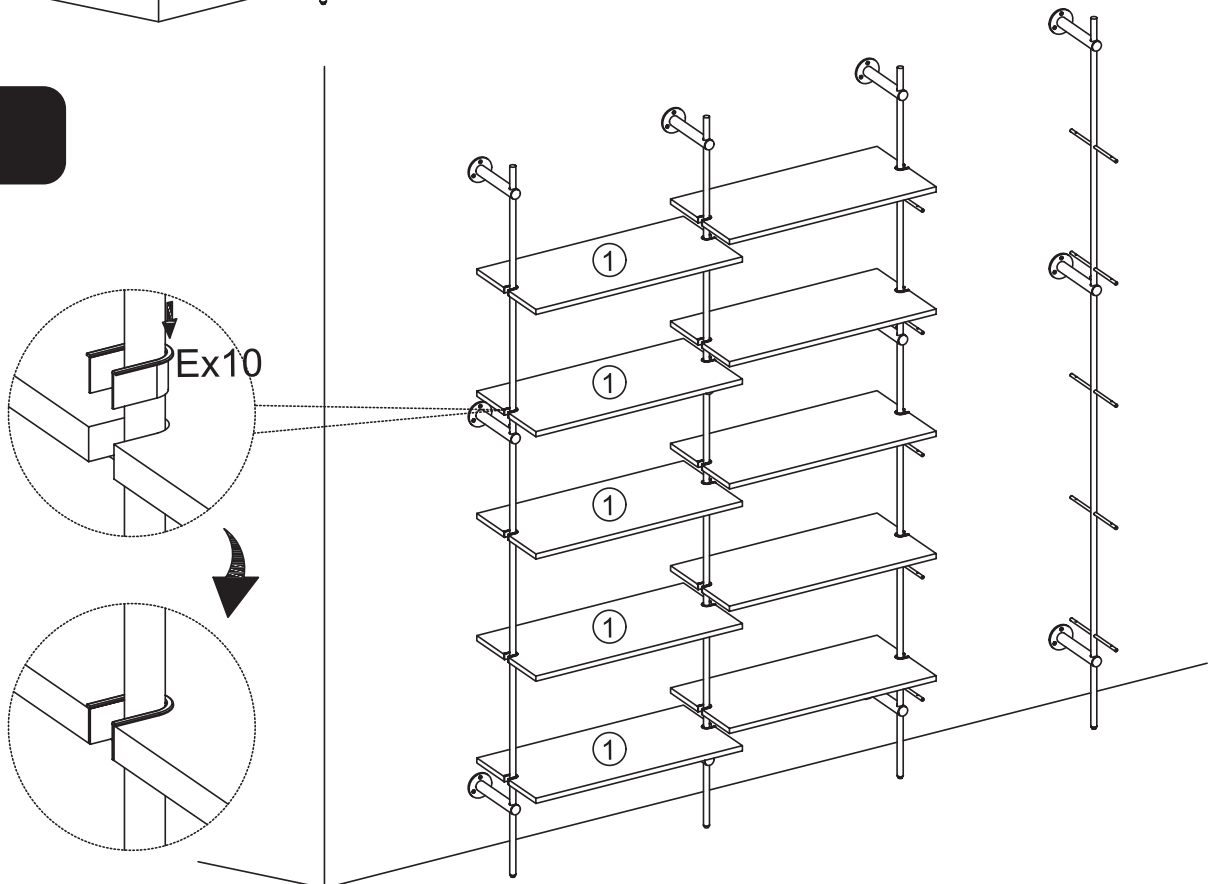
STEP 11



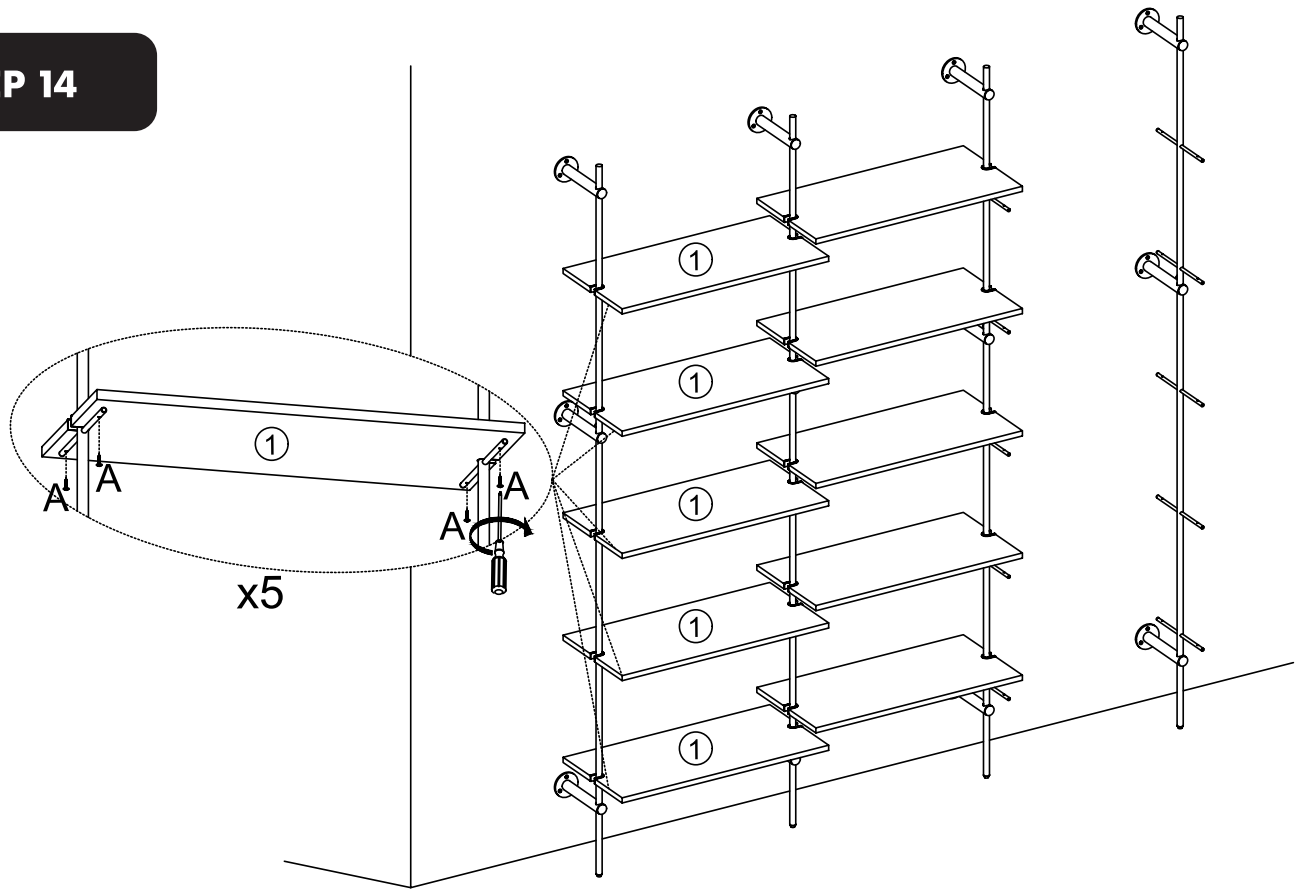
STEP 12



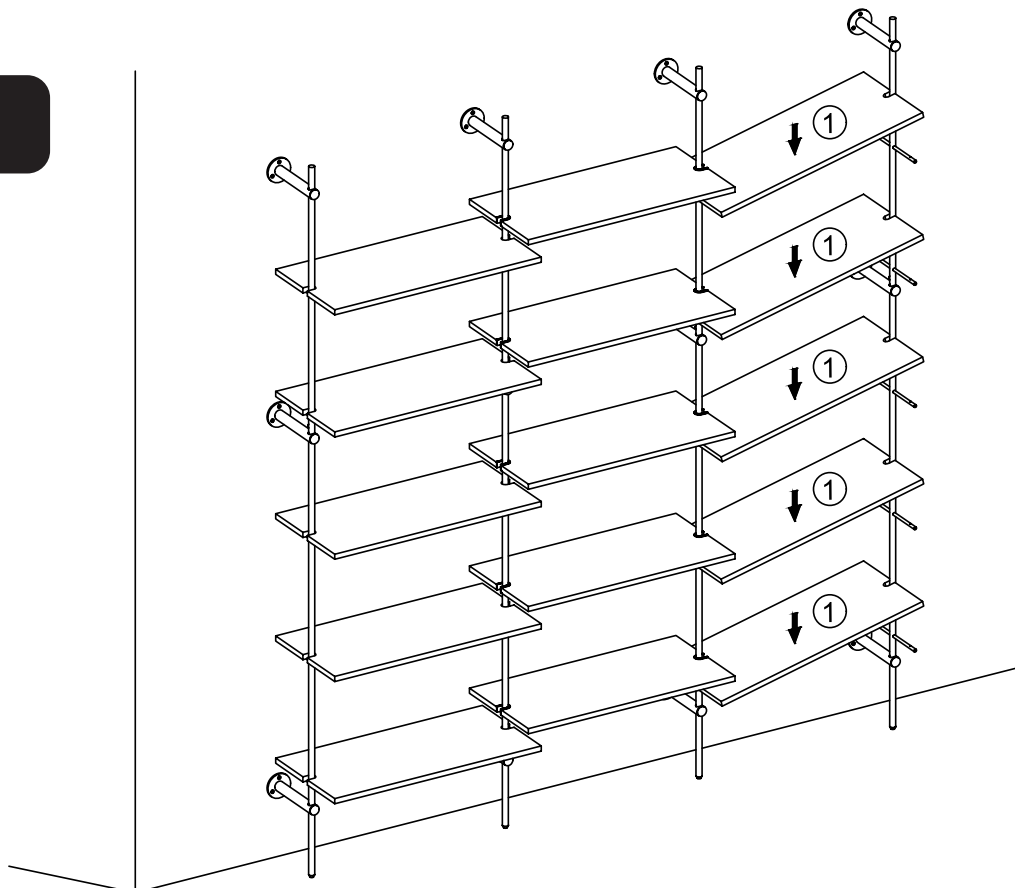
STEP 13



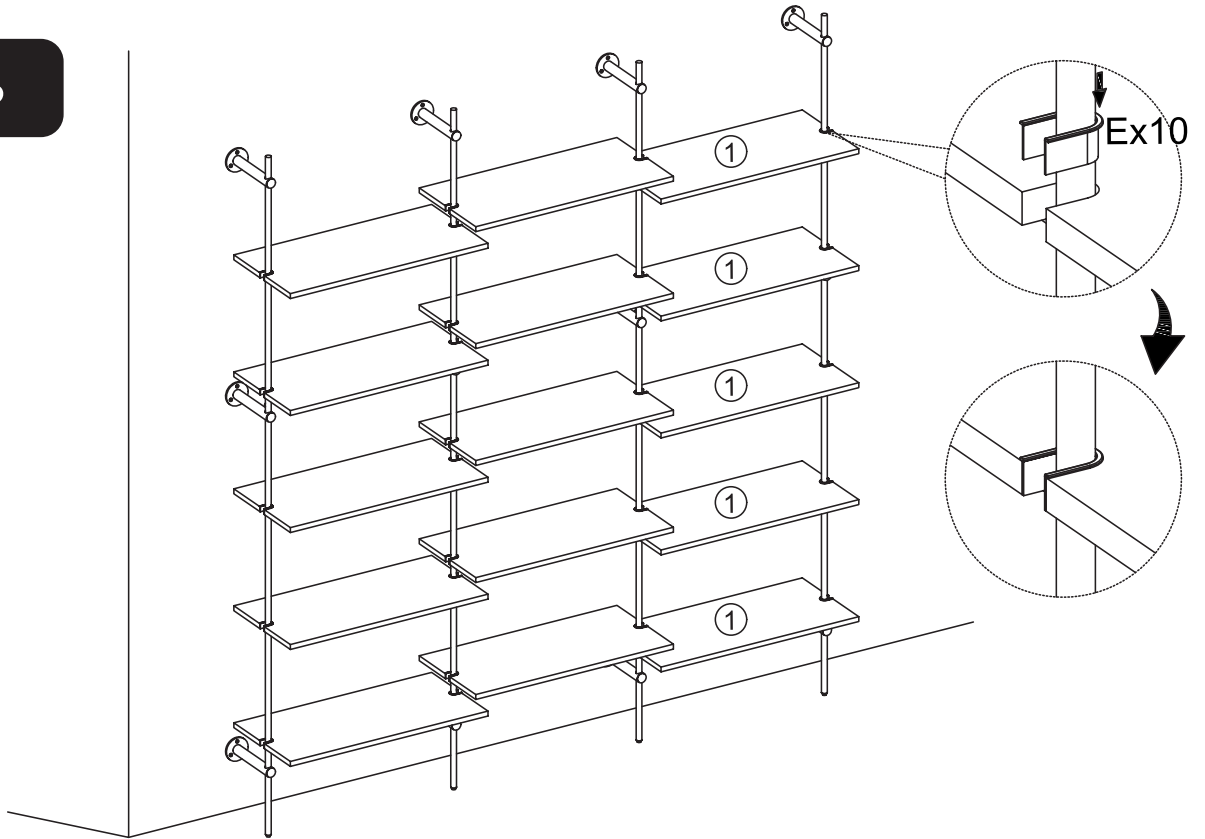
STEP 14



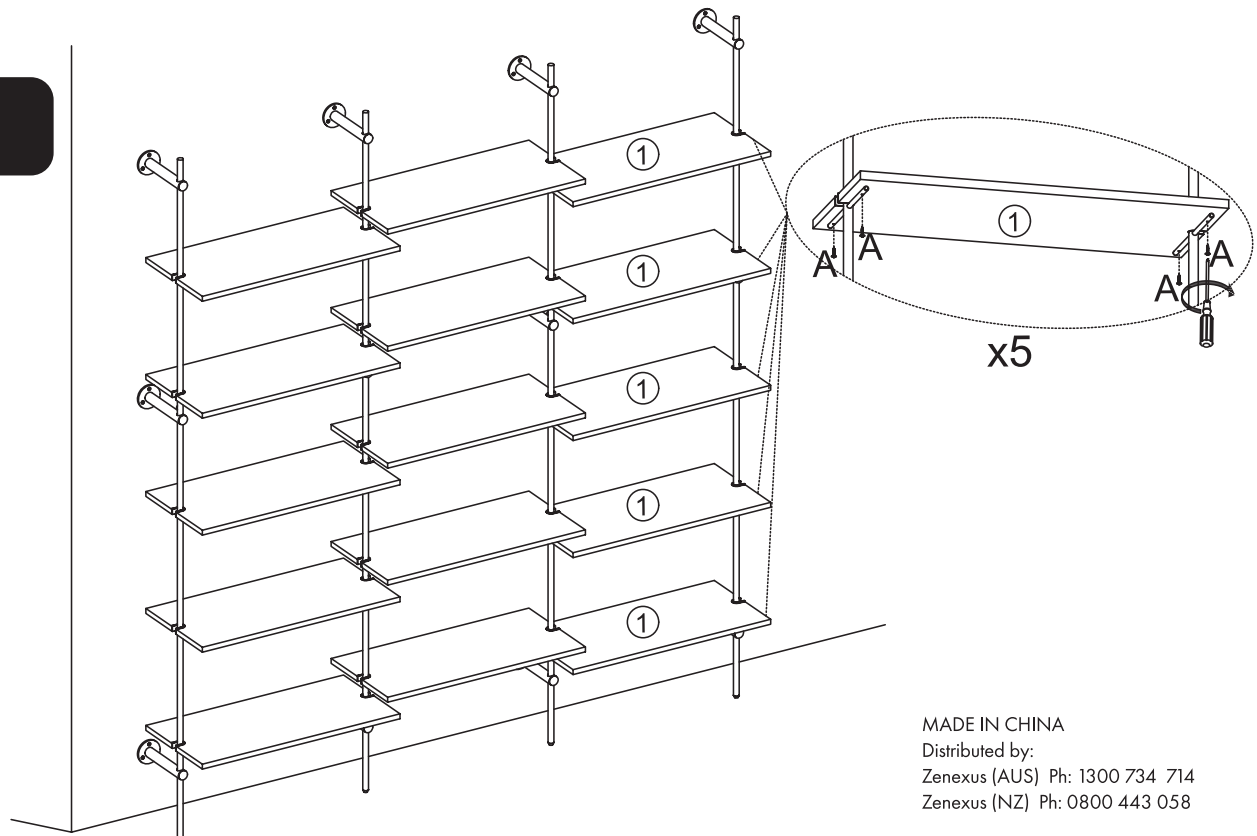
STEP 15



STEP 16



STEP 17



MADE IN CHINA
Distributed by:
Zenexus (AUS) Ph: 1300 734 714
Zenexus (NZ) Ph: 0800 443 058

flexistorage.com.au
flexistorage.co.nz