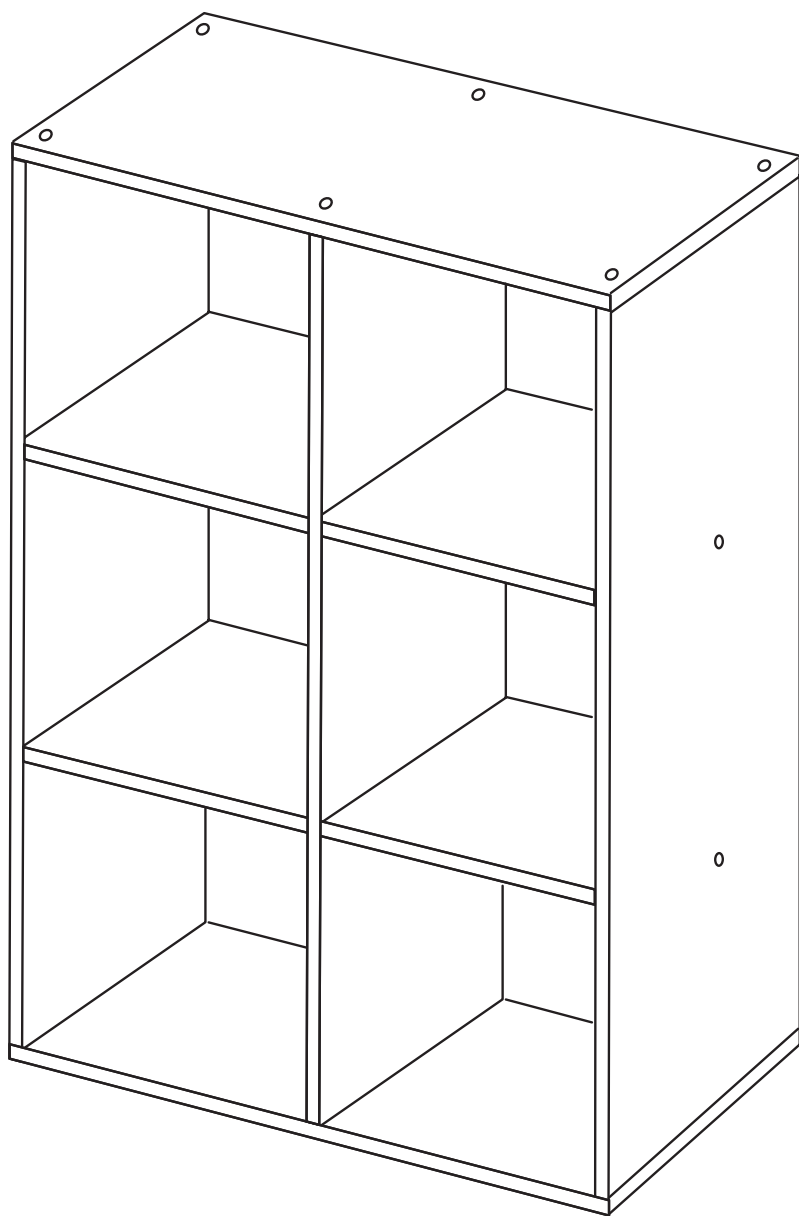


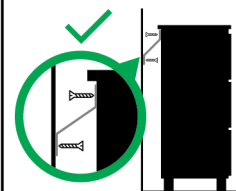


**THIS PRODUCT SHOULD BE ANCHORED TO A WALL OR OTHER SUITABLE SURFACE TO
AVOID SERIOUS INJURY OR DEATH.**

To help avoid any serious injury or death, this product includes a bracket to prevent toppling. We strongly recommend that this product be permanently fixed to the wall or other suitable surface. Fixing hardware is not included since different surface materials require different attachments. Please seek professional advice if you are in doubt as to which fixing hardware to use. Regularly check your fixing device.



⚠ WARNING



**Children have died from
furniture tipover.**

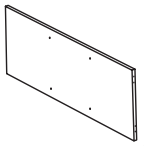
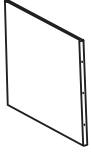
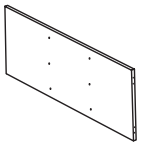
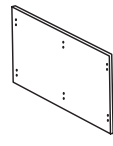

- ALWAYS secure this furniture with an anchor device.
- NEVER allow children to stand, climb or hang on drawers, doors, or shelves.
- NEVER open more than one drawer at a time.
- Place heavy items down low.

NEVER put a TV
on this furniture







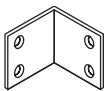



Care Instructions: We recommend to wipe over with a dry micro-fibre cloth to remove any dust. Avoid using a damp or wet cloth and any cleaning chemicals as this may cause damage to the surface.

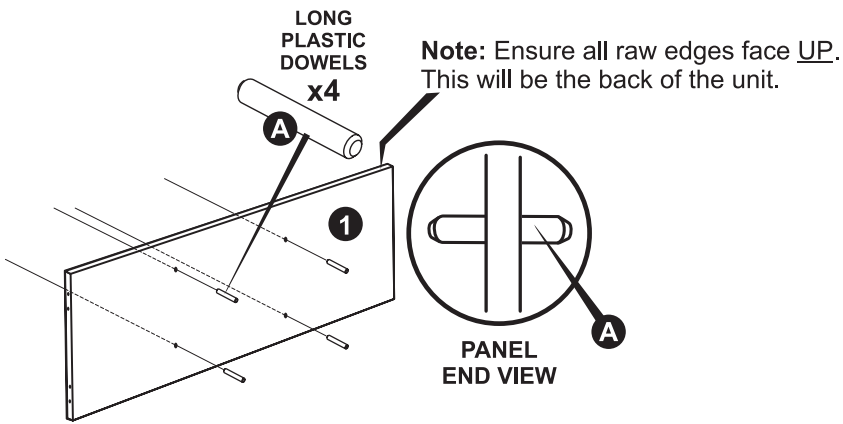
ELEMENT

<p>1</p>  <p>x2</p>	<p>2</p>  <p>x2</p>	<p>3</p>  <p>x2</p>	<p>4</p>  <p>x2</p>	<p>5</p>  <p>x3</p>
--	--	--	--	--

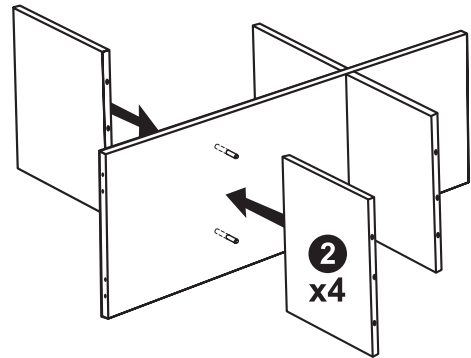
HARDWARE

<p>A</p>  <p>x4</p>	<p>B</p>  <p>x20</p>	<p>C</p>  <p>x16</p>	<p>D</p>  <p>x1</p>
<p>E</p>  <p>x30</p>	<p>F</p>  <p>x16</p>	<p>G</p>  <p>x2</p>	<p>G</p>  <p>x4</p>

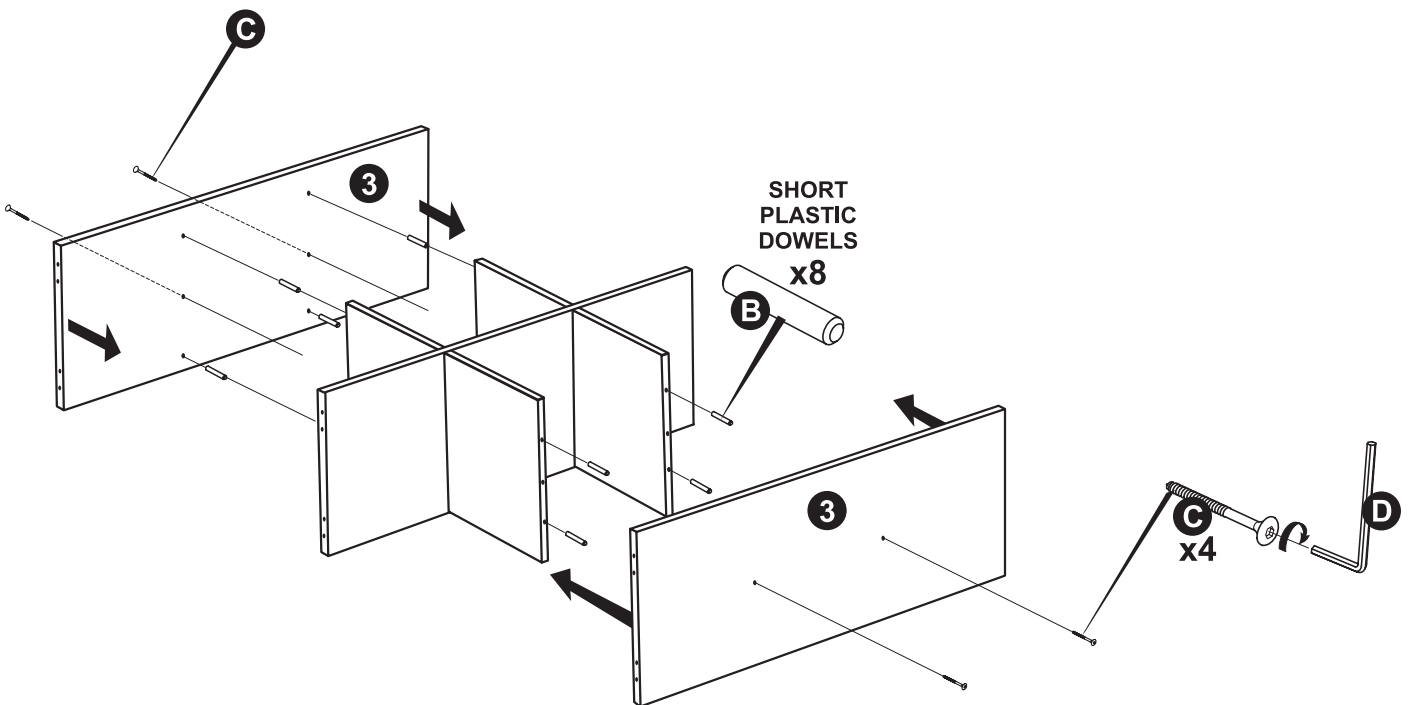
STEP 1



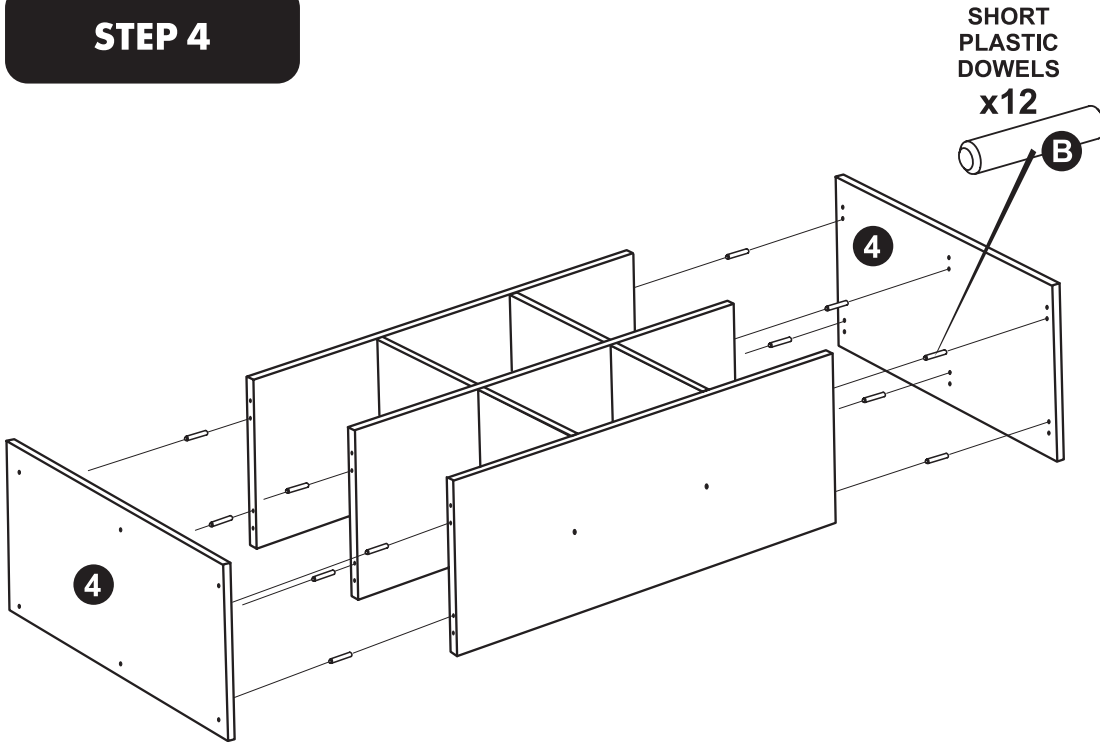
STEP 2



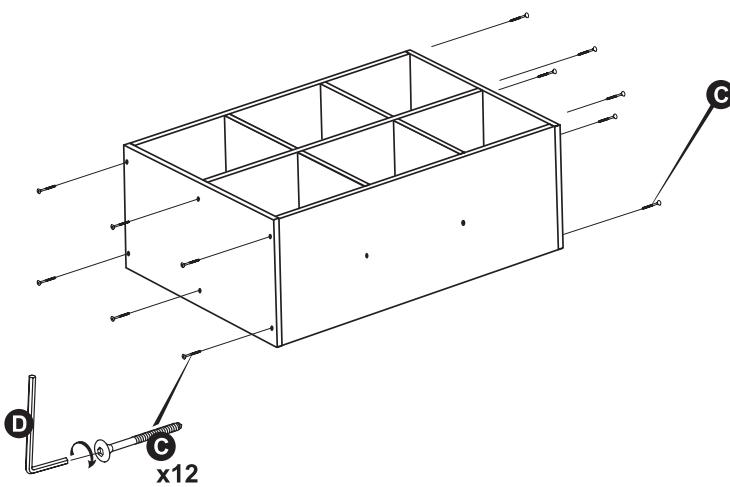
STEP 3



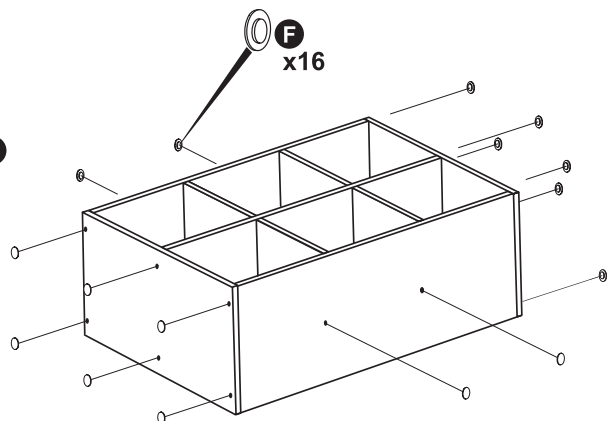
STEP 4



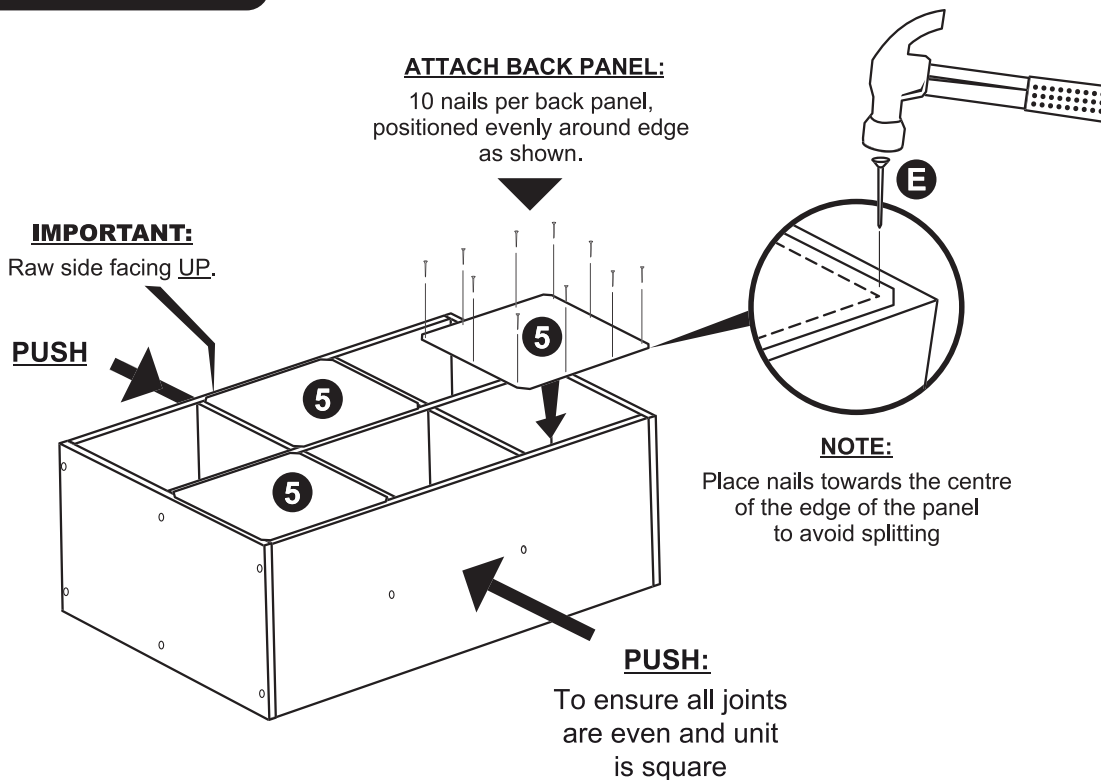
STEP 5



STEP 6

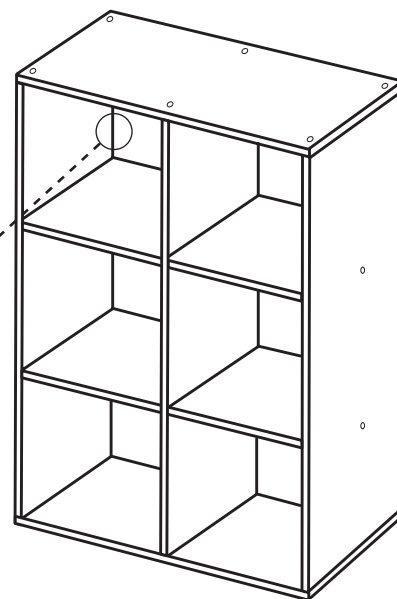
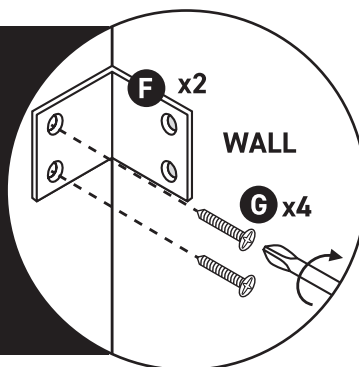


STEP 7



**WARNING: TO AVOID THE RISK
OF STORAGE TIPPING OVER,
PLEASE ATTACH WALL MOUNT
SUPPLIED TO THE PRODUCT
AND WALL AS SHOWN.**

As wall materials vary, screws
for fixing to wall are not included.
For advice on suitable screw
system, contact your local dealer.



DISTRIBUTED BY:

Visy Retail Services Pty Ltd (AU): 1300 734 714

Visy Board Limited (NZ): 0800 443 058

For more information please visit:

flexistorage.com.au

flexistorage.co.nz