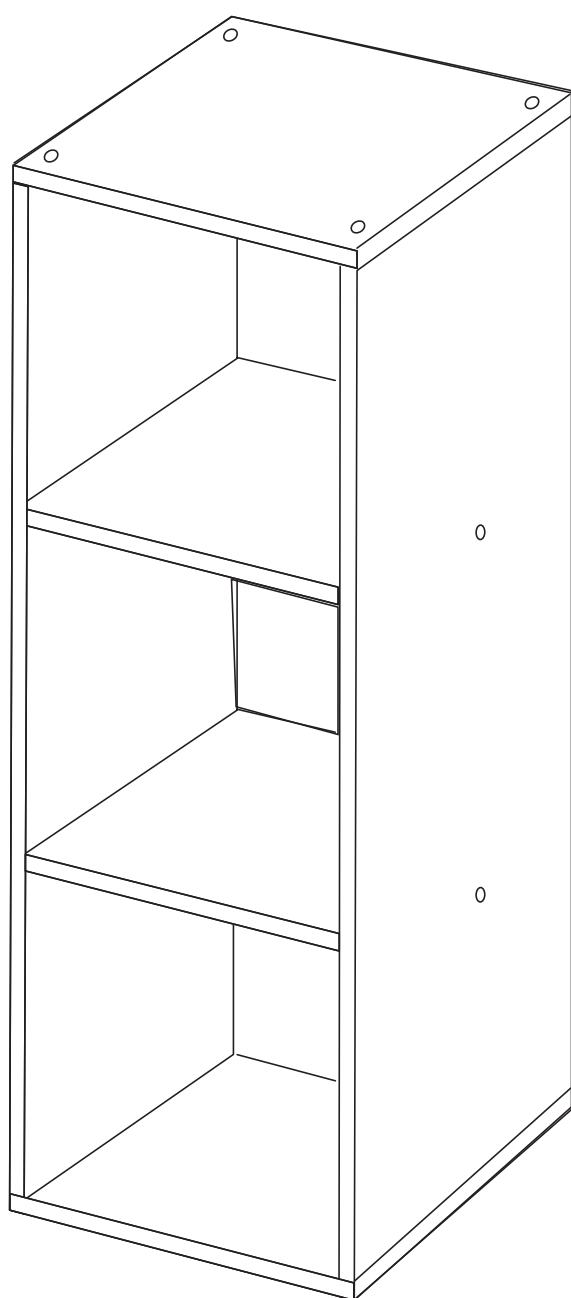


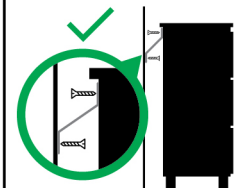


**THIS PRODUCT SHOULD BE ANCHORED TO A WALL OR OTHER SUITABLE SURFACE TO  
AVOID SERIOUS INJURY OR DEATH.**

To help avoid any serious injury or death, this product includes a bracket to prevent toppling. We strongly recommend that this product be permanently fixed to the wall or other suitable surface. Fixing hardware is not included since different surface materials require different attachments. Please seek professional advice if you are in doubt as to which fixing hardware to use. Regularly check your fixing device.



**⚠ WARNING**



**Children have died from  
furniture tipover.**

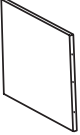
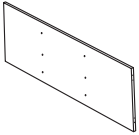
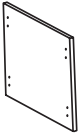
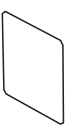
- ALWAYS secure this furniture with an anchor device.
- NEVER allow children to stand, climb or hang on drawers, doors, or shelves.
- NEVER open more than one drawer at a time.
- Place heavy items down low.

NEVER put a TV  
on this furniture






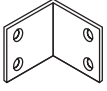
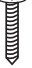


**Care Instructions:** We recommend to wipe over with a dry micro-fibre cloth to remove any dust. Avoid using a damp or wet cloth and any cleaning chemicals as this may cause damage to the surface.

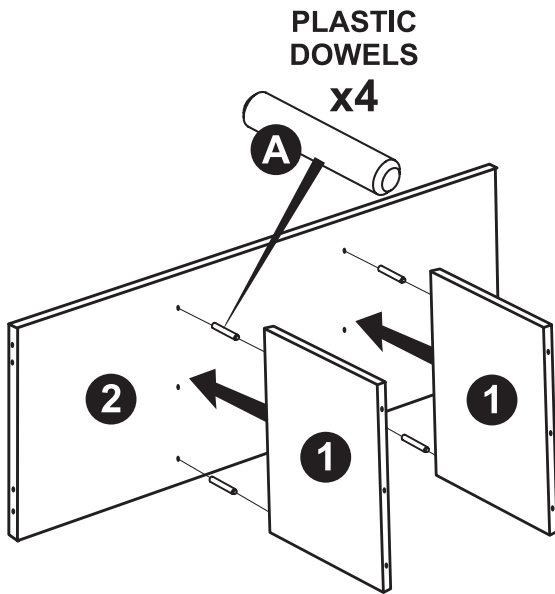
**ELEMENT**

<p><b>1</b></p>  <p><b>x2</b></p>	<p><b>2</b></p>  <p><b>x2</b></p>	<p><b>3</b></p>  <p><b>x2</b></p>	<p><b>4</b></p>  <p><b>x2</b></p>
--	--	--	--

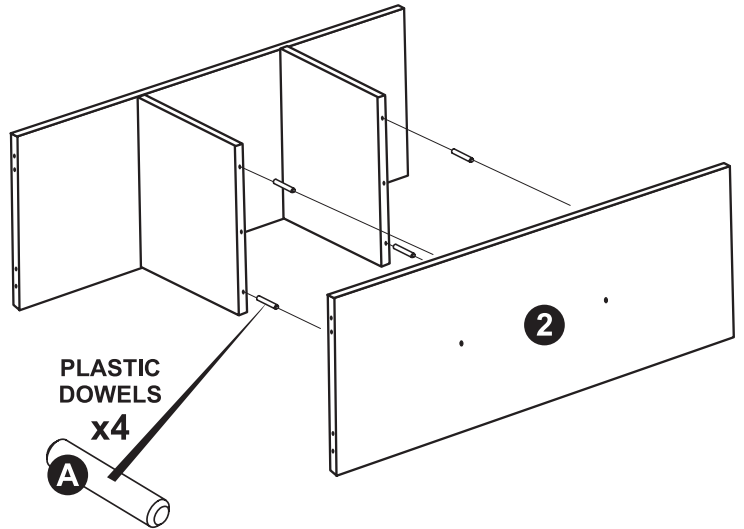
**HARDWARE**

<p><b>A</b></p>  <p><b>x16</b></p>	<p><b>B</b></p>  <p><b>x12</b></p>	<p><b>C</b></p>  <p><b>x1</b></p>	<p><b>D</b></p>  <p><b>x20</b></p>
<p><b>E</b></p>  <p><b>x12</b></p>	<p><b>F</b></p>  <p><b>x2</b></p>	<p><b>G</b></p>  <p><b>x4</b></p>	

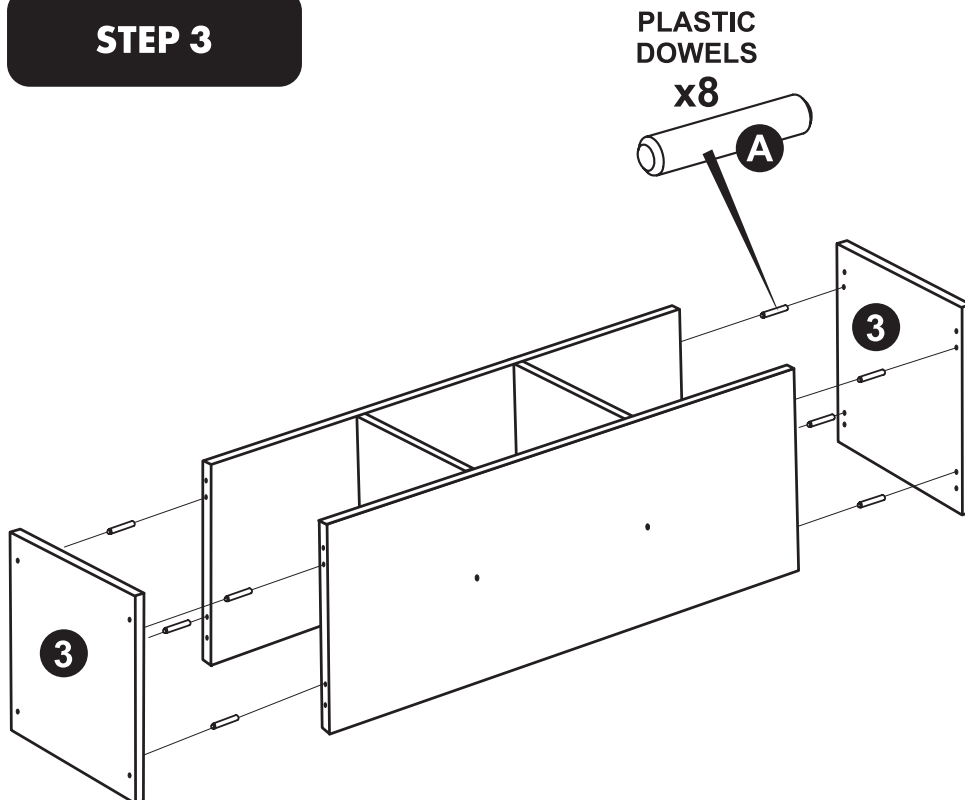
**STEP 1**



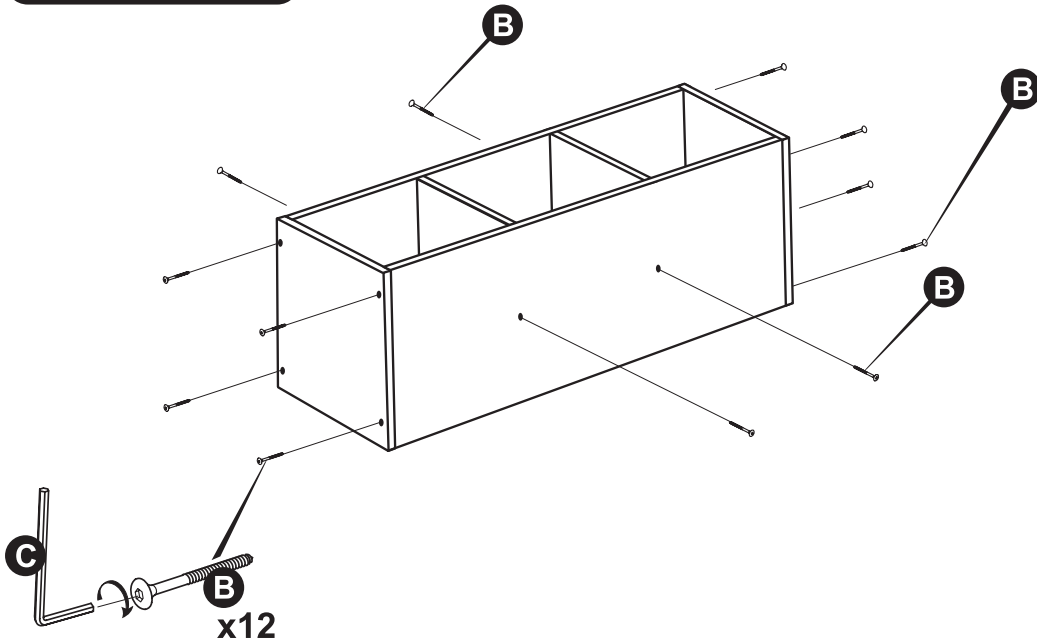
**STEP 2**



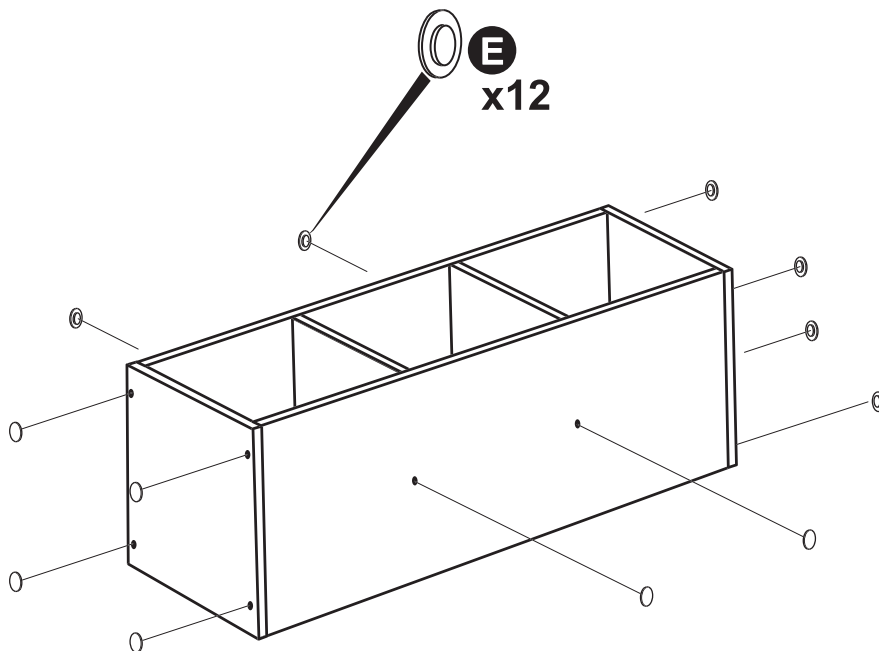
**STEP 3**



**STEP 4**



**STEP 5**



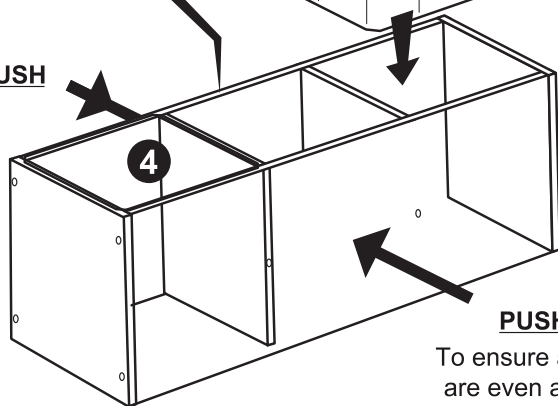
**STEP 6**

**ATTACH BACK PANEL:**

10 nails per back panel,  
positioned evenly around edge  
as shown.

**IMPORTANT:**  
Raw side facing UP.

**PUSH**



**NOTE:**

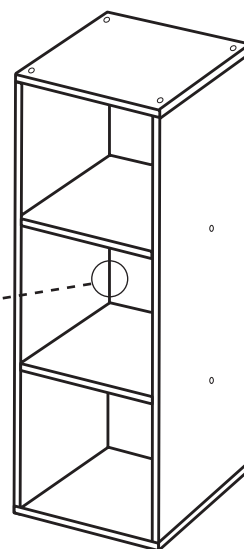
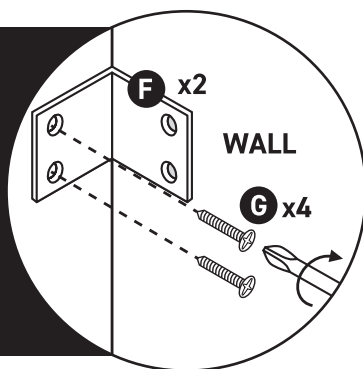
Place nails towards the centre  
of the edge of the panel  
to avoid splitting

**PUSH:**

To ensure all joints  
are even and unit  
is square

**WARNING: TO AVOID THE RISK  
OF STORAGE TIPPING OVER,  
PLEASE ATTACH WALL MOUNT  
SUPPLIED TO THE PRODUCT  
AND WALL AS SHOWN.**

As wall materials vary, screws  
for fixing to wall are not included.  
For advice on suitable screw  
system, contact your local dealer.



DISTRIBUTED BY:

Visy Retail Services Pty Ltd (AU): 1300 734 714

Visy Board Limited (NZ): 0800 443 058

For more information please visit:

[flexistorage.com.au](http://flexistorage.com.au)

[flexistorage.co.nz](http://flexistorage.co.nz)